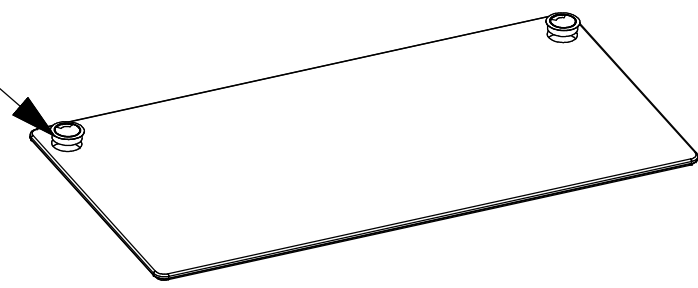
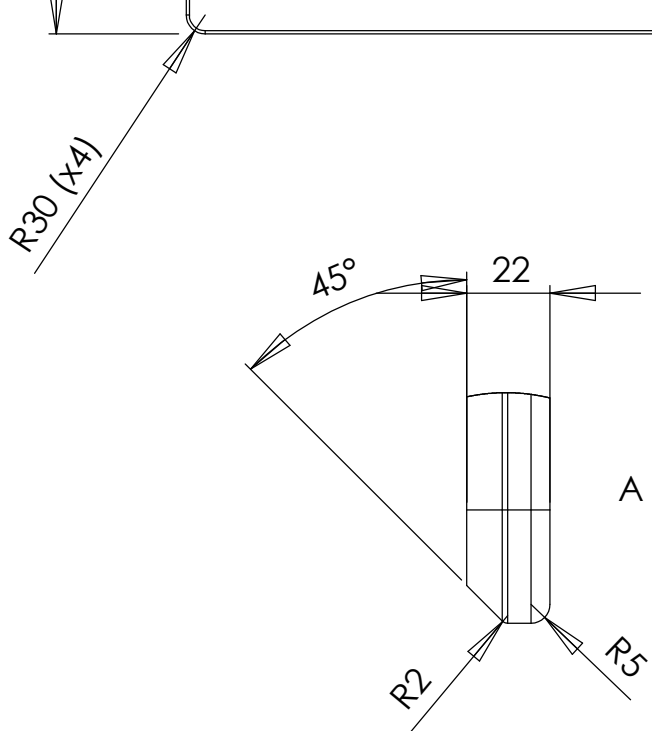
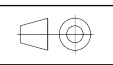


Cablevent, black (x2)  
302700



UNLESS OTHERWISE SPECIFIED DIMENSIONS ARE IN MM TOLERANCES ARE:	MATERIAL SPECIFICATION:	ConSet A/S <small>Staalvej 14-16 6900 Skjern Denmark</small>
	---	
 MATERIAL <input checked="" type="checkbox"/>	PROCES SPECIFICATION:	Square tabletop, 1600x800mm
	---	
FINISH <input checked="" type="checkbox"/>	---	
DO NOT SCALE DRAWING	DRAWN: JO CHECKED: GL DATE: 060320	XXXXXX REV. 0