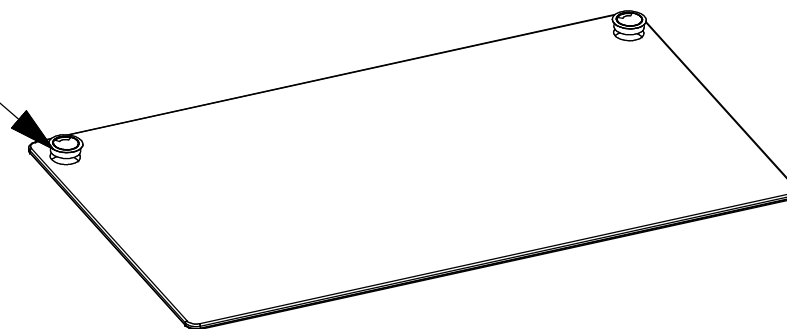


Cablevent, black (x2)
302700



UNLESS OTHERWISE SPECIFIED DIMENSIONS ARE IN MM TOLERANCES ARE: --	MATERIAL SPECIFICATION: --		ConSet A/S Staalvej 14-16 6900 Skjern Denmark
	PROCES SPECIFICATION: --		
MATERIAL <input checked="" type="checkbox"/>	--		Square tabletop, 1800x1000mm
FINISH <input checked="" type="checkbox"/>	--		
DO NOT SCALE DRAWING	DRAWN JO	CHECKED GL	DATE 060320
			XXXXXX
			REV. 0