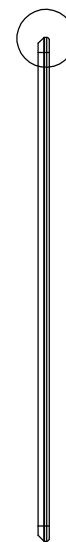
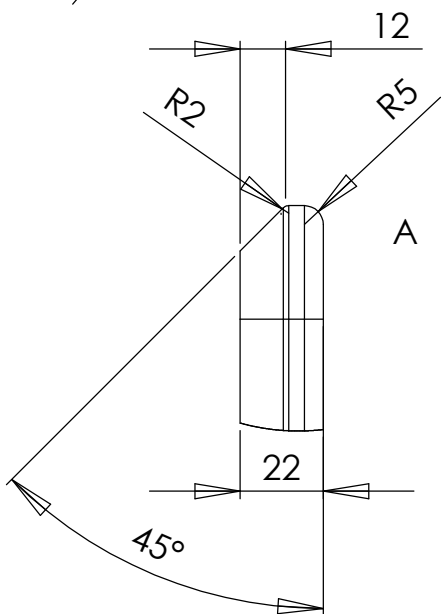
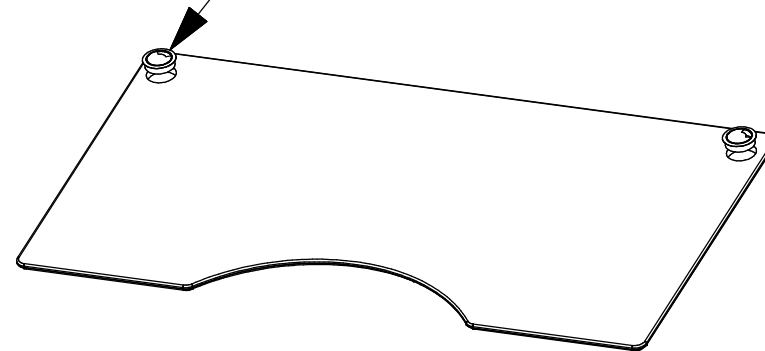


A



Cablevent, black (x2)  
302700



UNLESS OTHERWISE SPECIFIED  
DIMENSIONS ARE IN MM  
TOLERANCES ARE:  
According to DIN 7168-m



MATERIAL  
MDF + Veneer

FINISH  
Lacquered

DO NOT SCALE DRAWING

MATERIAL SPECIFICATION:

---

PROCES SPECIFICATION:

---

---

DRAWN  
JO

CHECKED  
GL

DATE  
060223

ConSet A/S Staalvej 14-16  
6900 Skjern  
Denmark

Tabletop, 180C

XXXXXX

REV.  
0