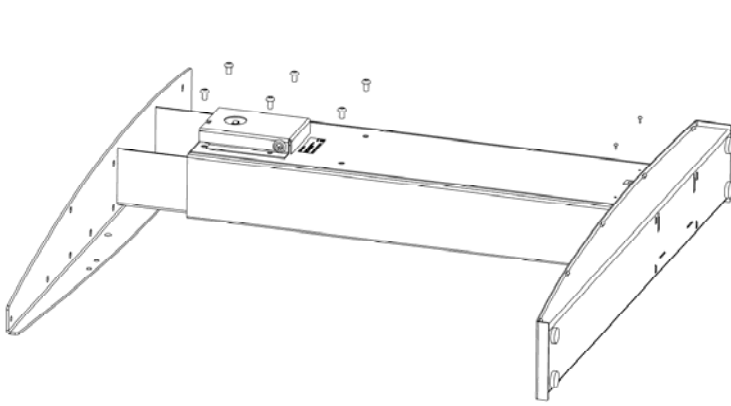


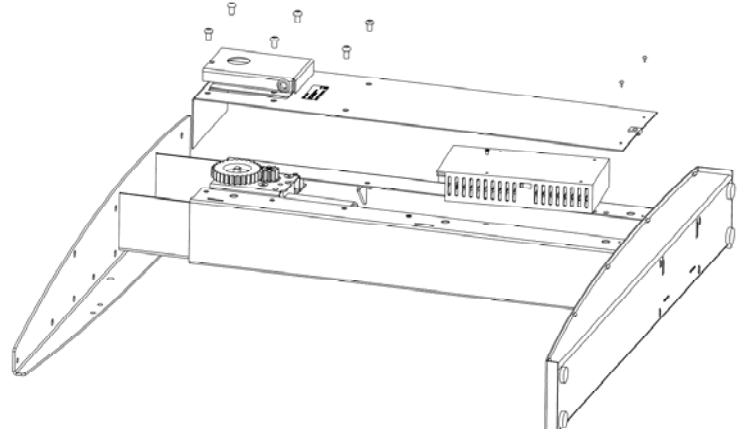
## Installing adjustable height limiter in ConSet model 501-11.

All operations are done on the main leg with control panel.

**Before starting the operation make sure the AC plug is disconnected.**



1. Remove the 6 hexagon socket screws and 2 screws in the bottom of the leg.



1. Remove the covers

View inside leg without height limiter:



Install the red height limiter into the toothrack groove at the wanted height and tighten the screw:



Assemble all parts backwards of the way the disassembly was done and test if the height limit is set correct. If not, disassemble and adjust again.