

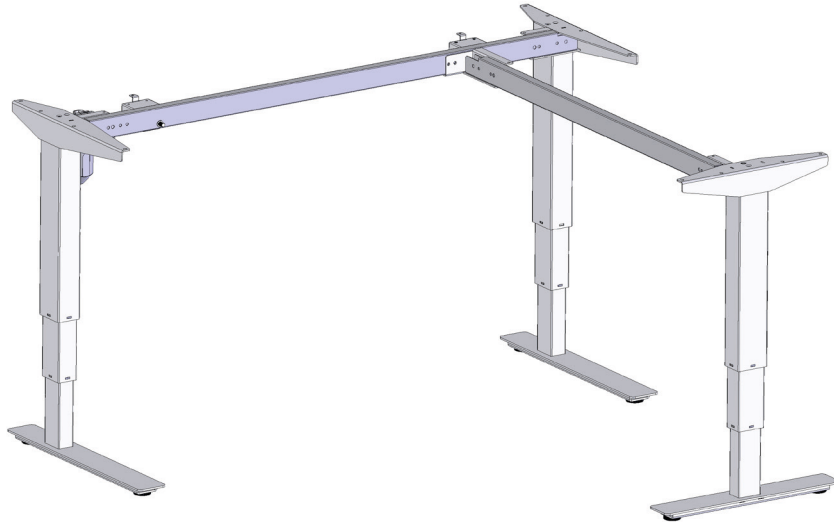


EN
Page 2

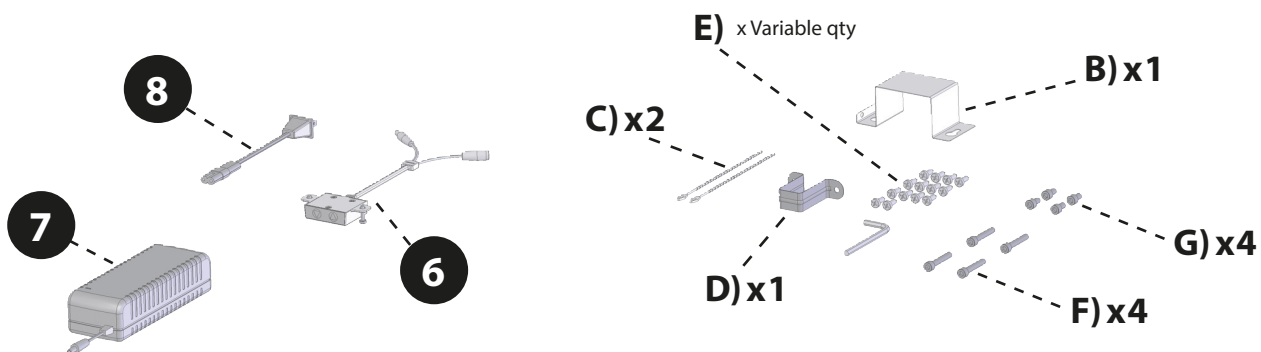
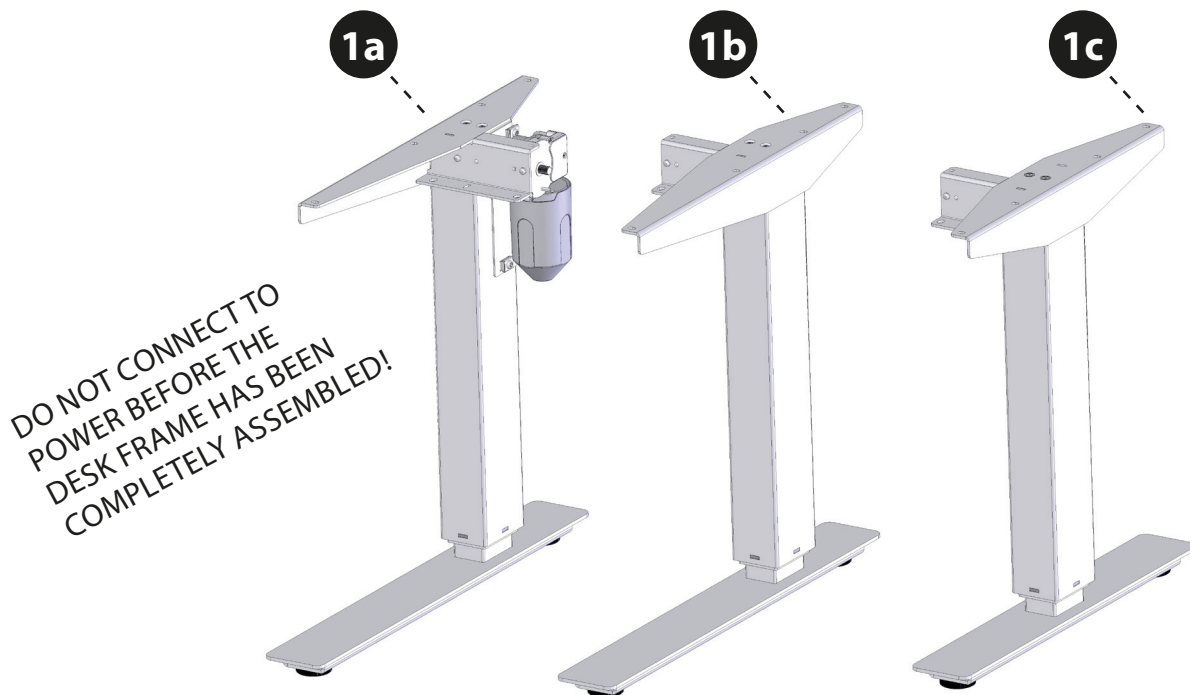
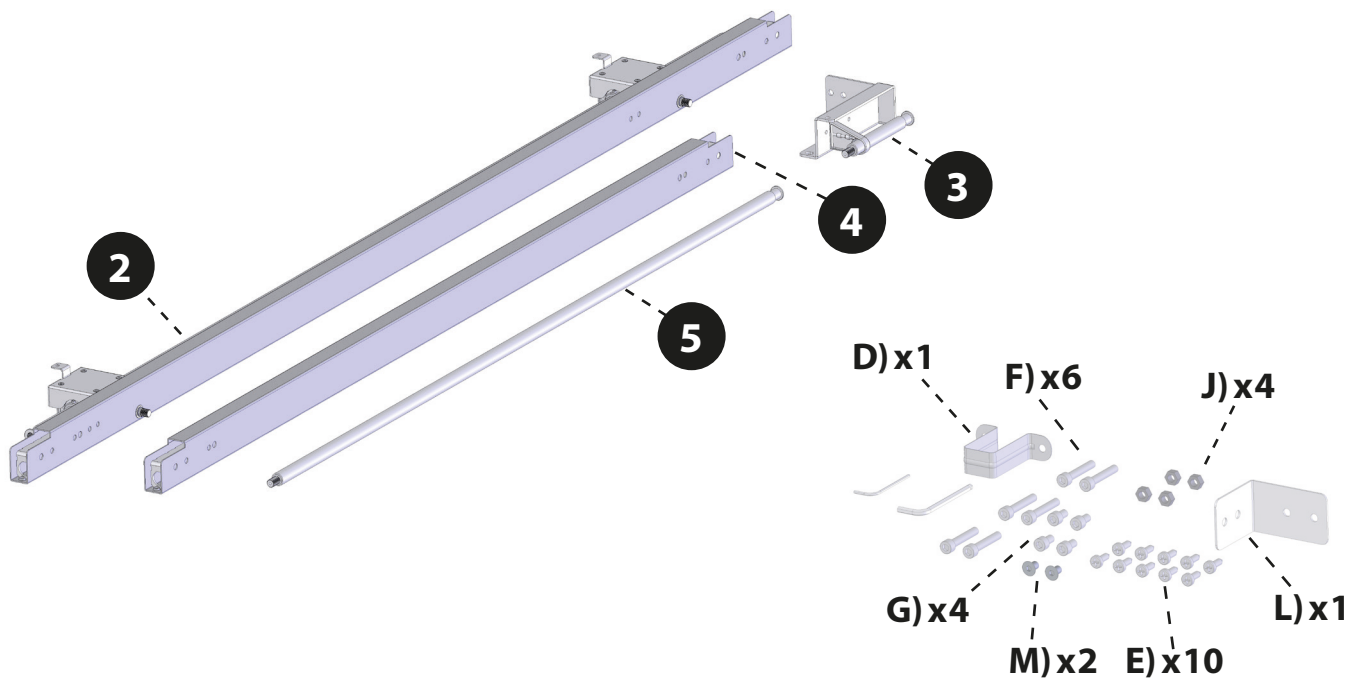
Assembly instruction

SQ147250 - SQ147280

This instruction is a supplement to chapter 7 and 8 in the instruction, which is packed together with the legset



7. PARTS

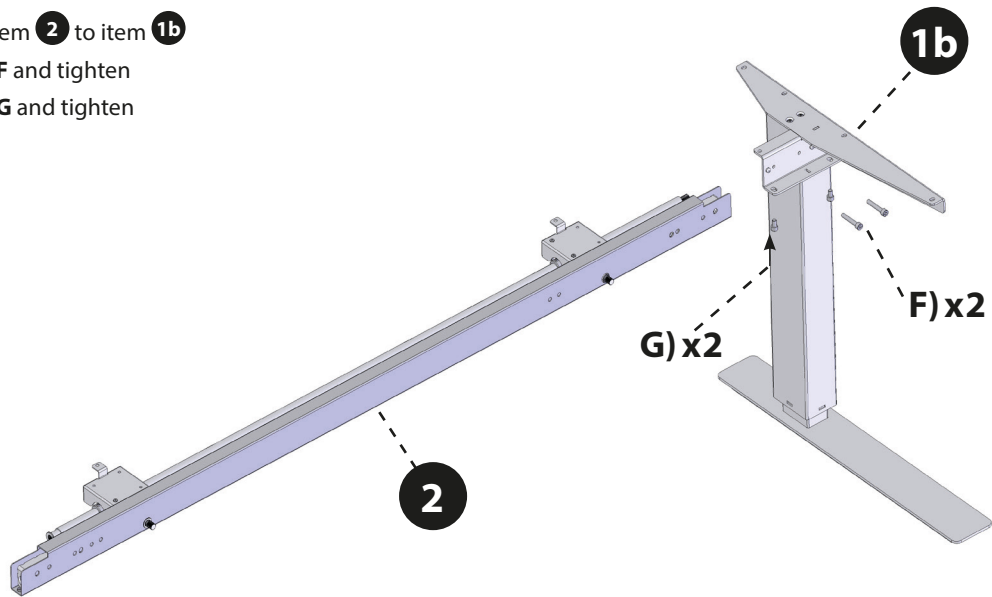


8. ASSEMBLY INSTRUCTIONS

– shown assembly for right turned frame

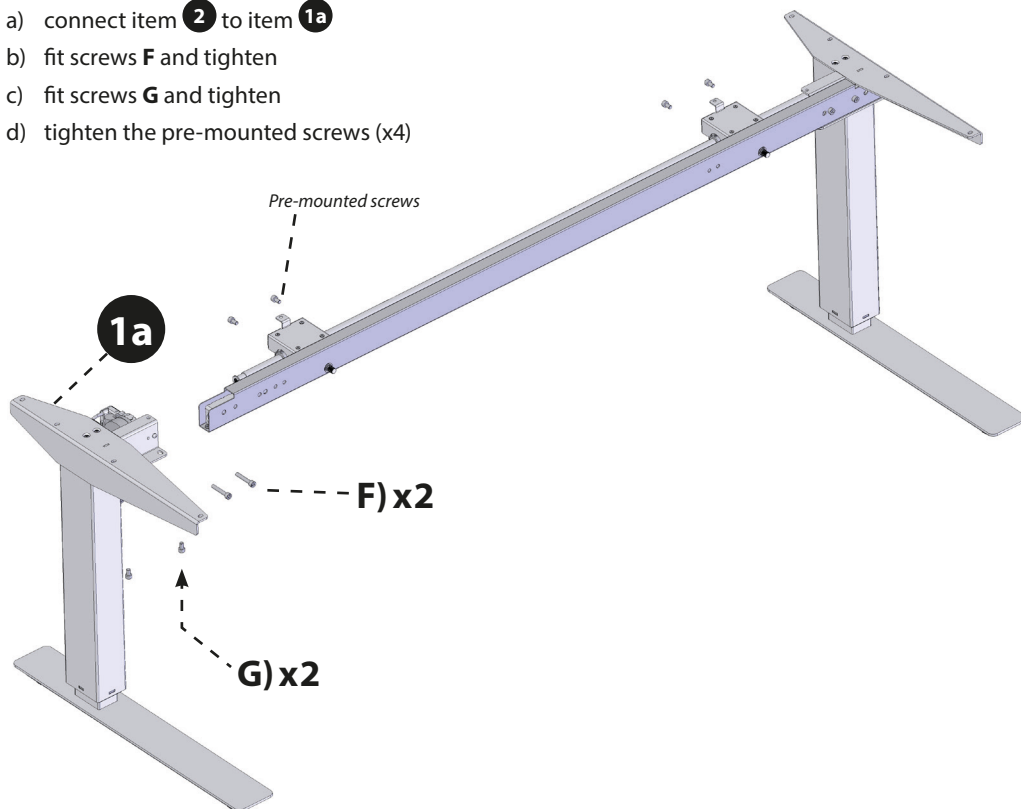
1.

- connect item **2** to item **1b**
- fit screws **F** and tighten
- fit screws **G** and tighten



2.

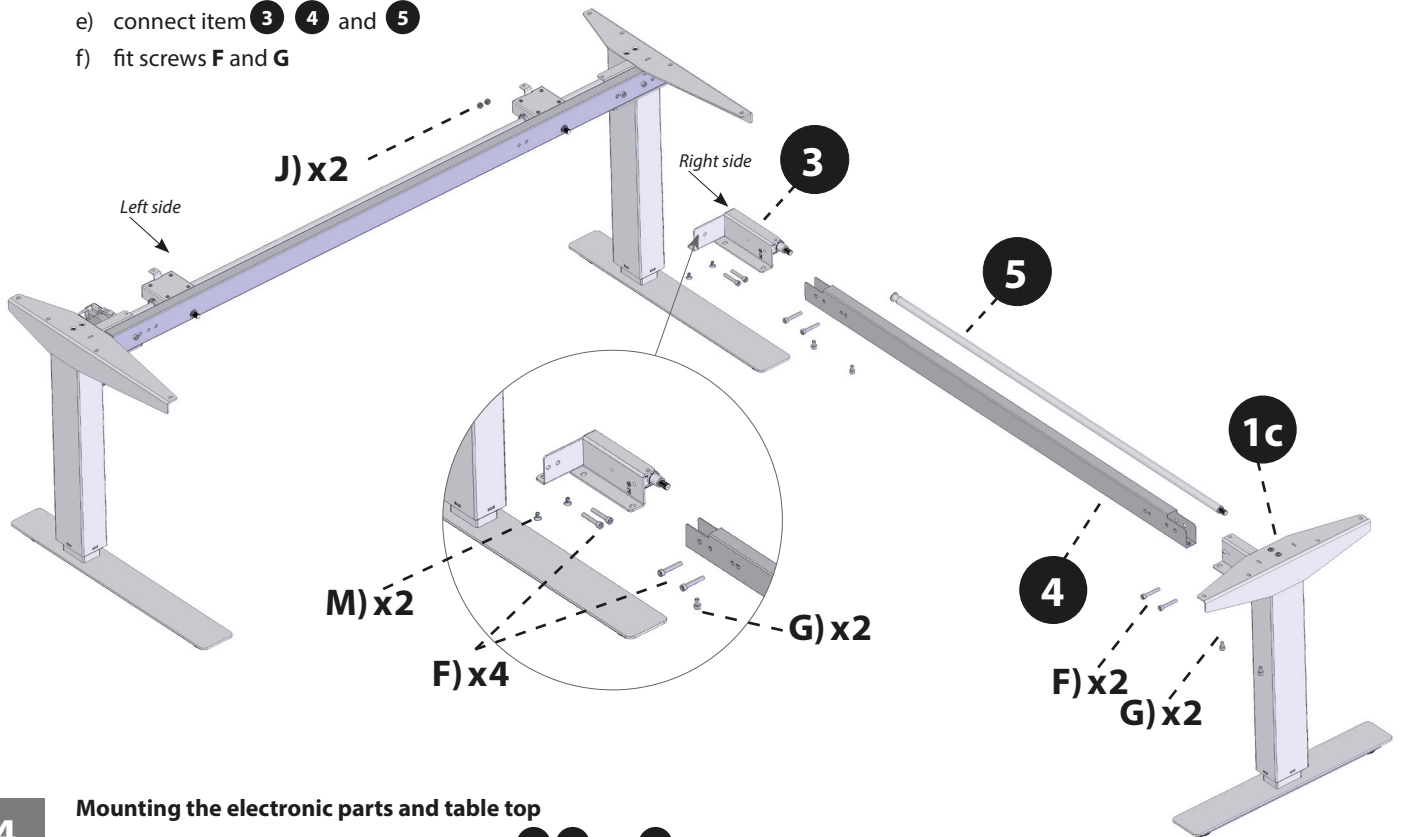
- connect item **2** to item **1a**
- fit screws **F** and tighten
- fit screws **G** and tighten
- tighten the pre-mounted screws (x4)



3.

Mounting Part 3: mount to the left side or the right side according to your top

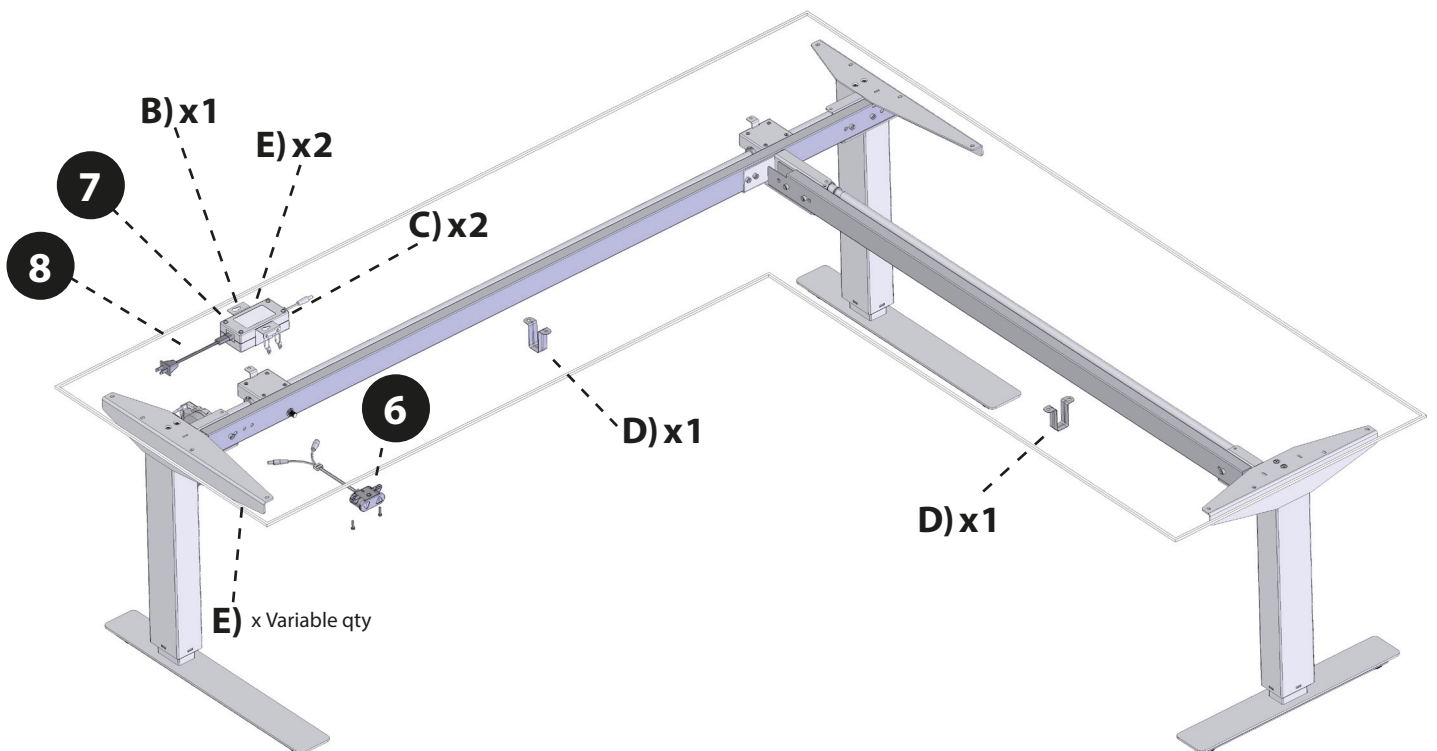
- connect item 3 to item 2
- fit screws and nut F, M and J
- connect item 4 to 1c
- fit screws F and G
- connect item 3, 4 and 5
- fit screws F and G



4.

Mounting the electronic parts and table top

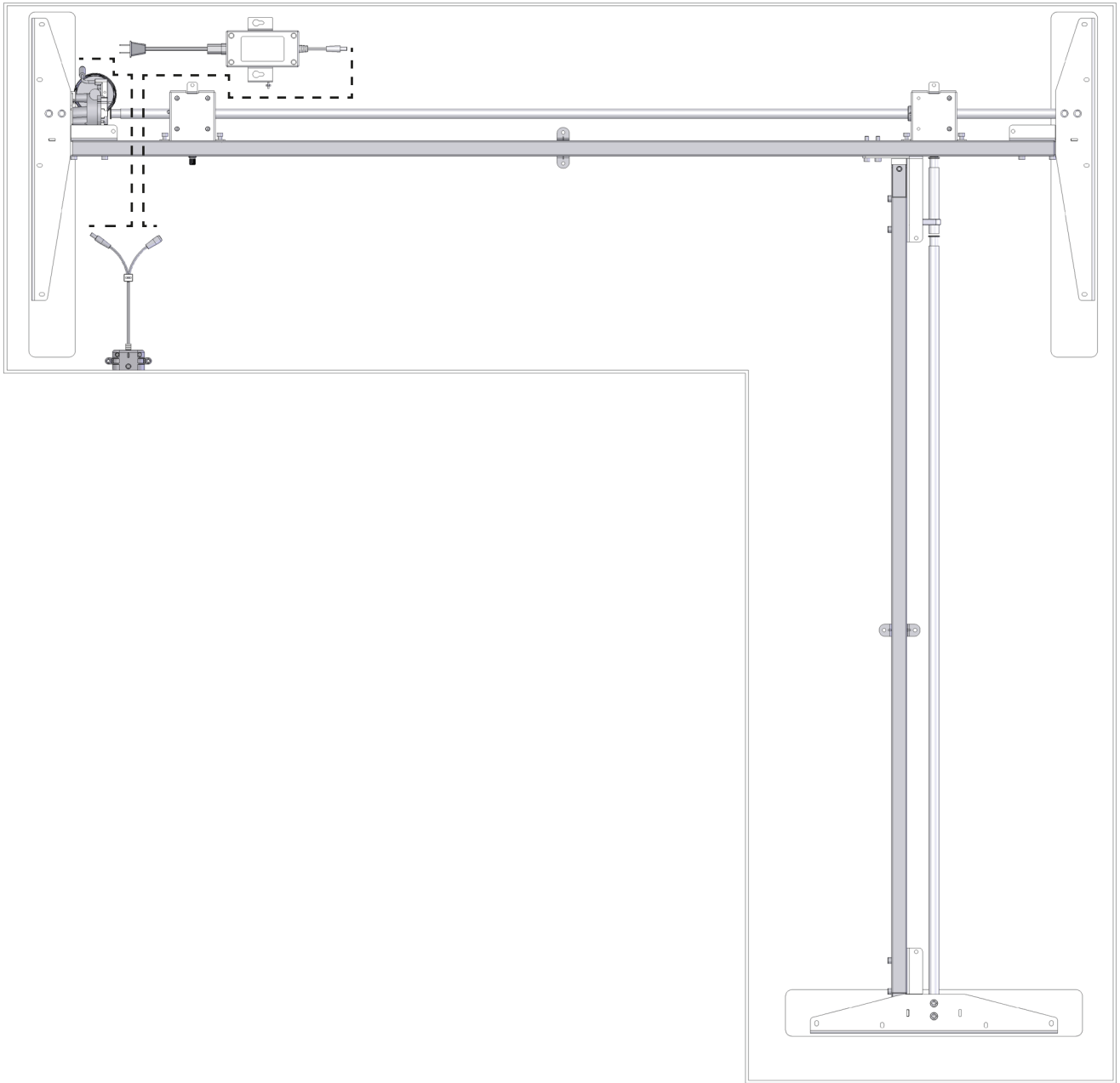
- see the sketch on page 5 to mount item 6, 7 and B in a suitable place
- with the frame in the upright position fit and tighten wood screws E to secure the table top, fit from underneath, the table top must be fitted with the frame fully down, like it comes out the box
- if the assembled desk has to be moved a few cm's into its final place you will need minimum 3 people to lift it holding the frame and to place it back down squarely



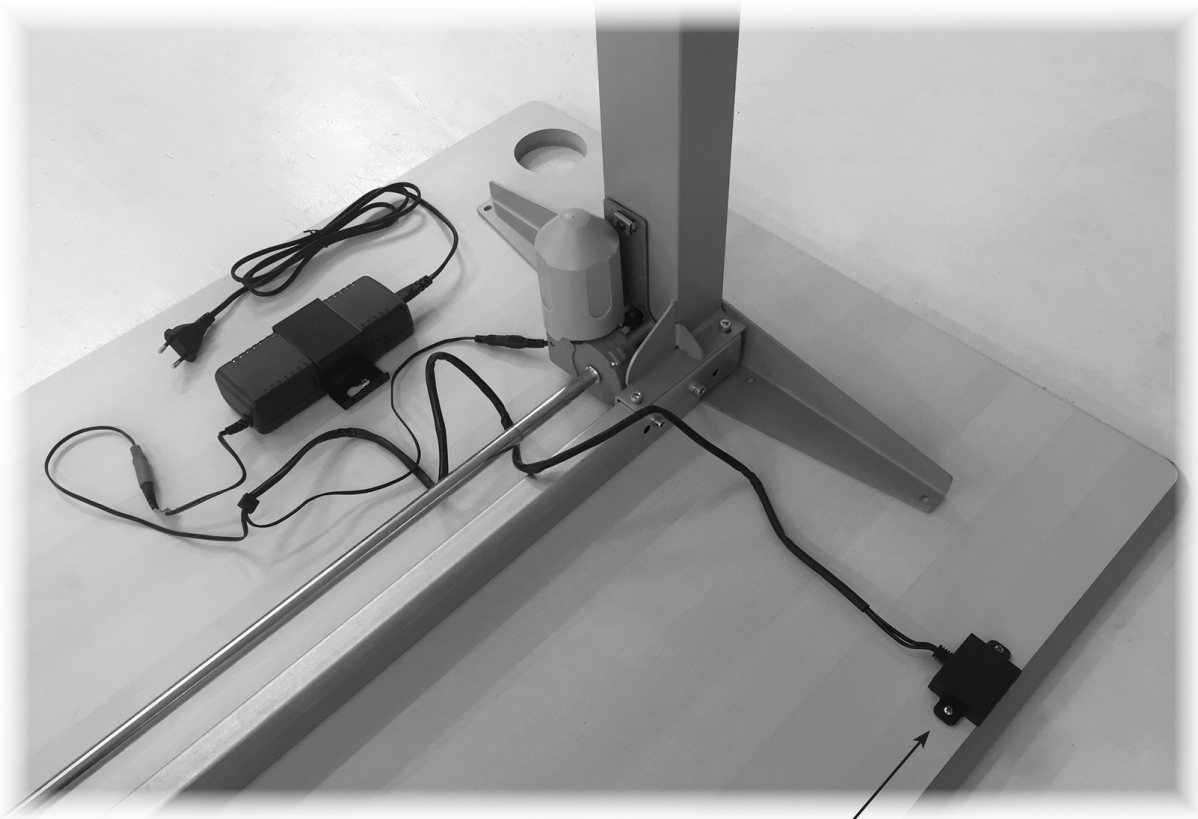
5.

Wiring

- a) connect item 1a to item 6
- b) connect item 7 to item 6



6.



SKRUERNE MÅ IKKE SPÆNDES FOR HÅRDT, IDET DET KAN SKADE BETJENINGEN AF BORDET

DO NOT OVER TIGHTEN THE SCREWS SINCE THIS MAY HARM THE FUNCTION OF THE CONTROL

ZIEHEN SIE DIE SCHRAUBEN NICHT ZU FEST AN DA DIES DIE FUNKTION BEEINTRÄCHTIGEN KANN DER STEUERUNG

7.

