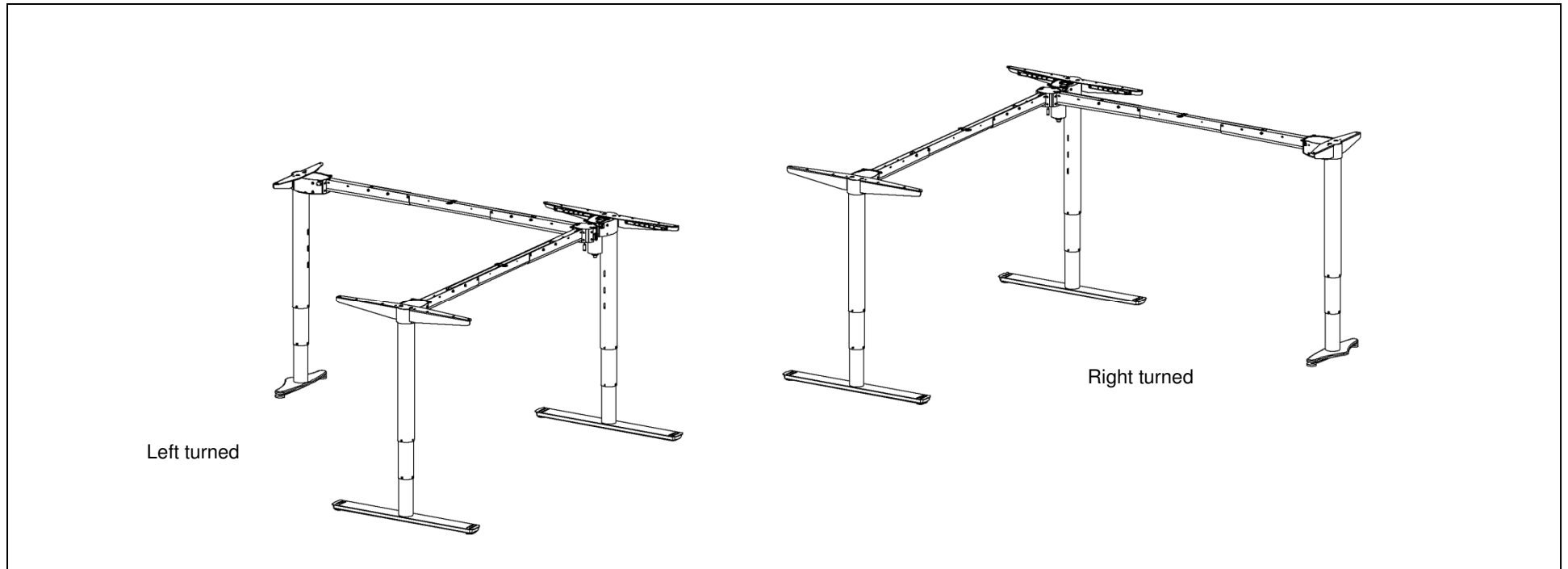


ELECTRIC HEIGHT ADJUSTABLE DESK

CONSET – MODEL: 501-49 3 COLUMN VERSION



ASSEMBLY INSTRUCTIONS

EN



WARNING: FAILURE TO COMPLY WITH OR OBSERVE ALL ASSEMBLY, SAFETY AND OPERATION INSTRUCTIONS AND WARNINGS REGARDING THE USE OF THIS PRODUCT MAY RESULT IN SERIOUS BODILY INJURY.

IMPORTANT NOTES!

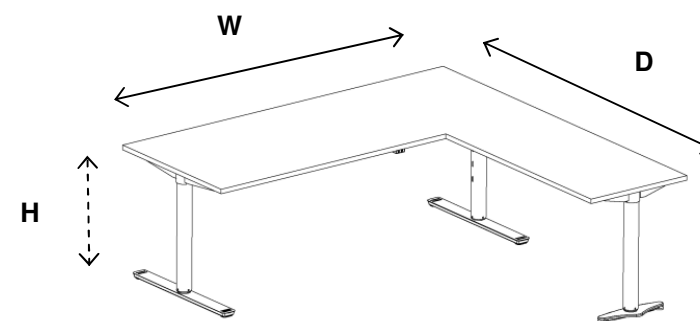
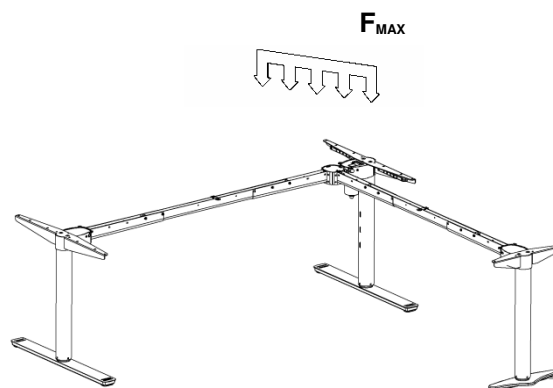
Prior to installment, use and maintenance of the table frame, any installer and any user of the table must study this assembly manual carefully, so as to gain a complete understanding of its contents.

TABLE OF CONTENT

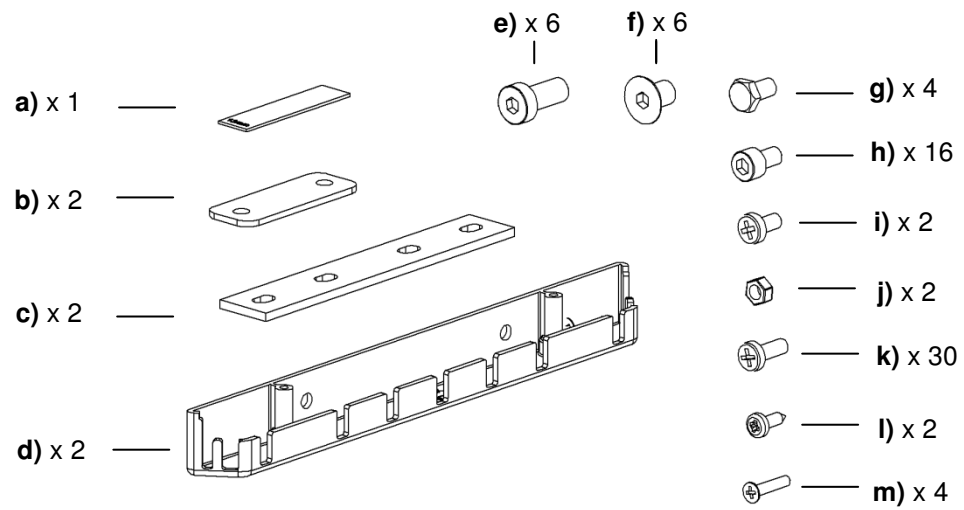
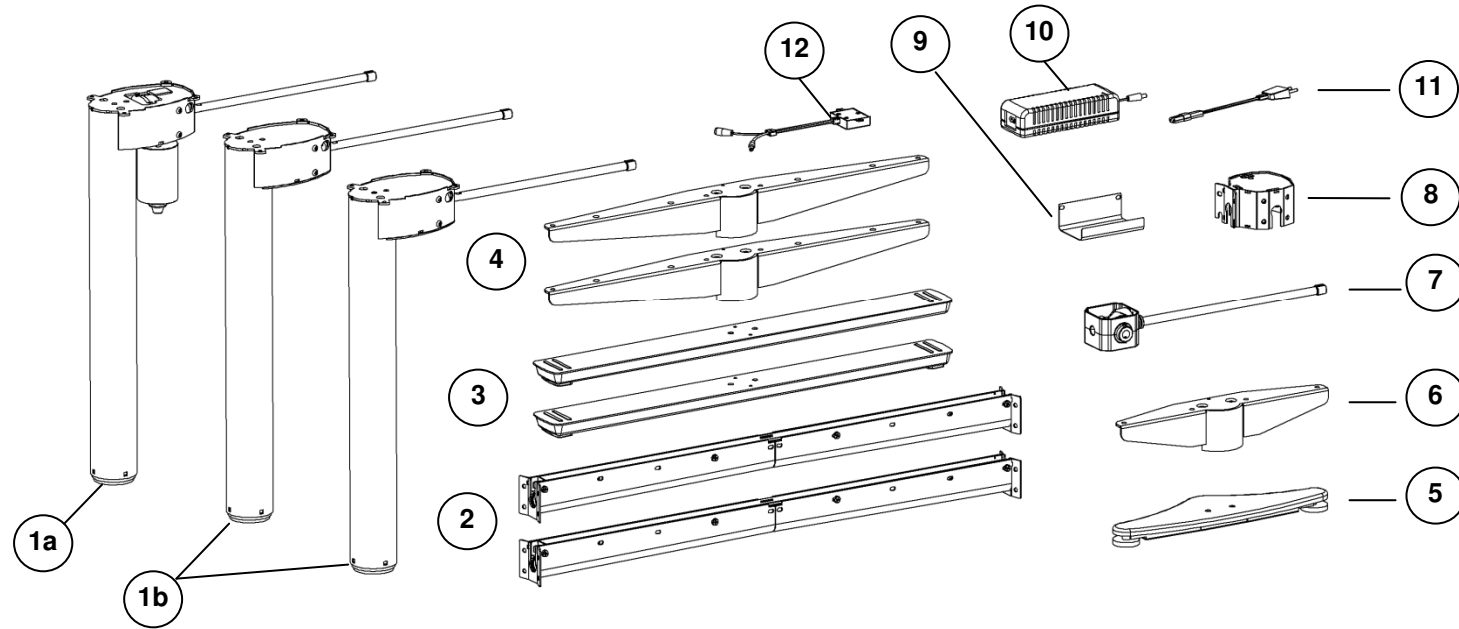
1. SAFETY AND WARNINGS – STUDY MANUAL PLACED IN OTHER BOX
2. USAGE– STUDY MANUAL PLACED IN OTHER BOX
3. SET UP AND INSTALLATION – STUDY MANUAL PLACED IN OTHER BOX
4. OPERATION – STUDY MANUAL PLACED IN OTHER BOX
5. MAINTENANCE AND DEFECTS– STUDY MANUAL PLACED IN OTHER BOX
6. TECHNICAL DATA
7. PARTS
8. ASSEMBLY INSTRUCTIONS
9. DECLARATION OF CONFORMITY – STUDY MANUAL PLACED IN OTHER BOX

6. TECHNICAL DATA

Frame, materials:	Steel, Powder lacquered
W = Top size width	126-200cm (frame 136-176cm)
D = Top size depth	136-200 cm (frame 136-196cm)
H (frame)	63-123 cm
V (speed)	~ 32mm/sec. (unloaded)
F_{MAX} = Max. load:	See mounting instruction for 2 column desk frame
Duty cycle:	10% by 50% of max load on frame or max 2 min. continuously
Operation:	Micro switches
Voltage:	100-240 VAC / 50/60Hz
Standby Consumption:	< 1 Watt
Above specifications may vary depending on local temperature, humidity and input voltage.	

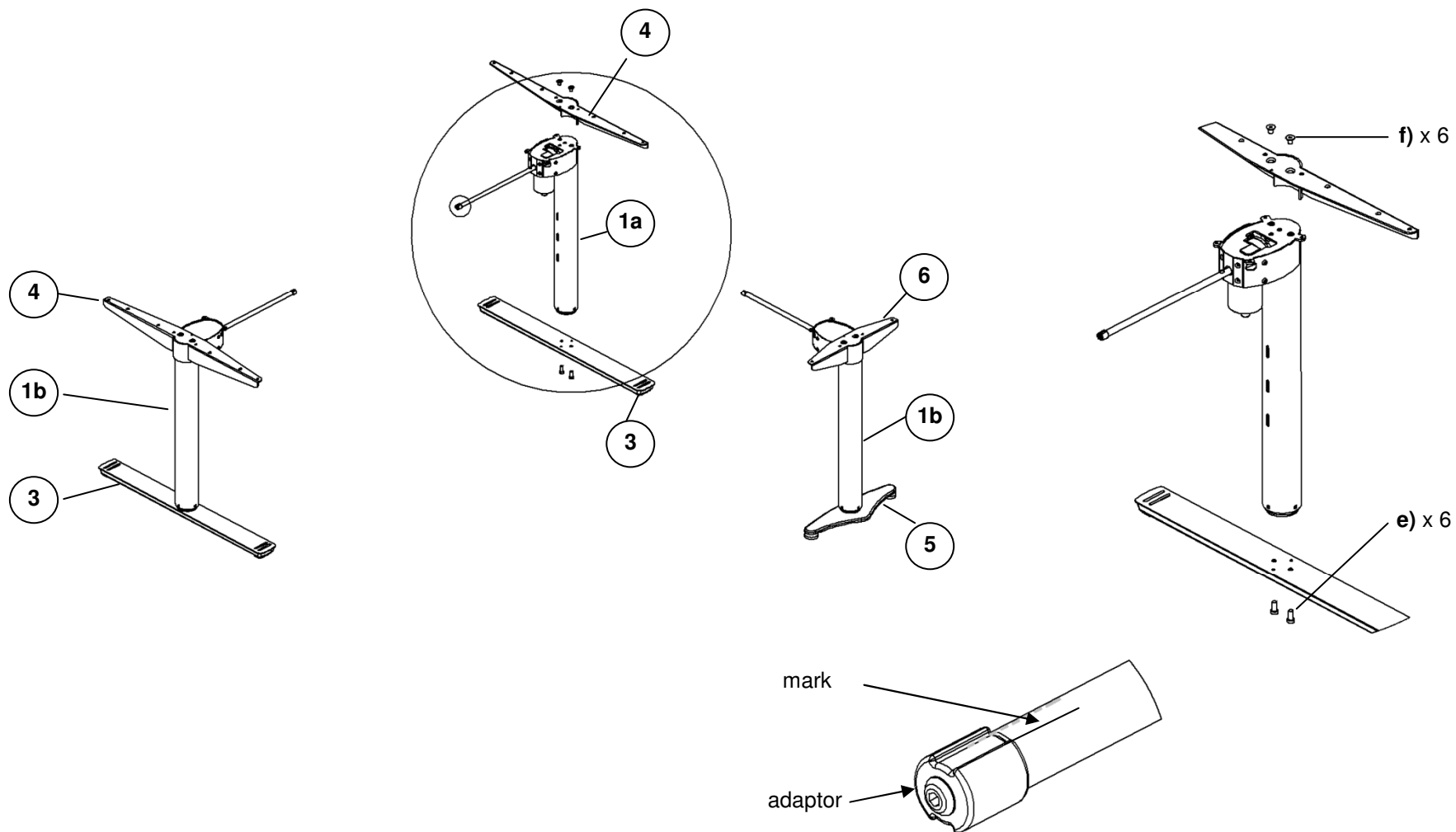


7. PARTS



8. **ASSEMBLY INSTRUCTIONS** (the frame can be assembled left and right handed. This instruction illustrates right handed. For left handed see page 5).

1



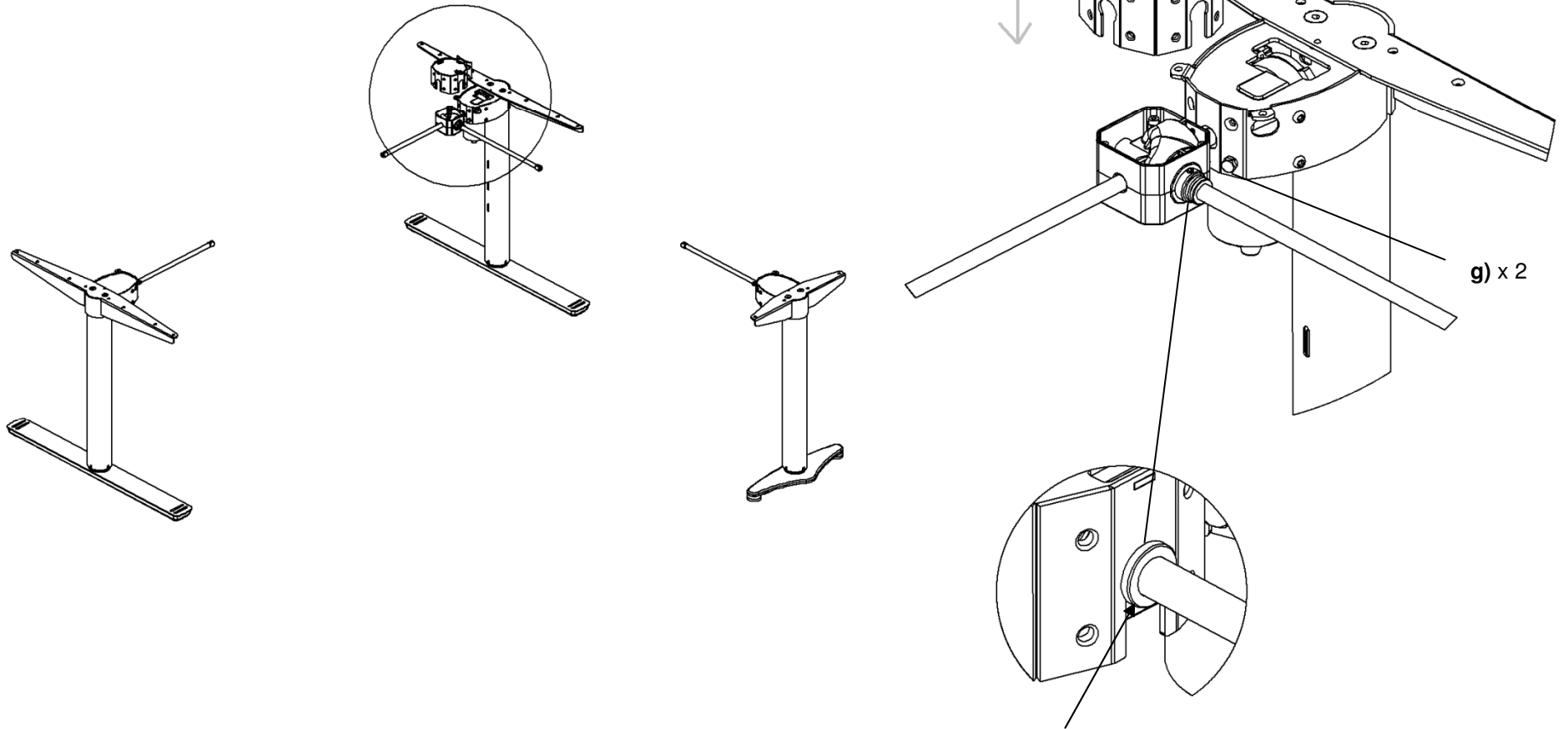
Step 1a

Mount upper and lower leg to columns, as per 3, 4, 5, 6.

Step 1b

In step 2a the adaptor needs to be removed. Therefore make a mark with pencil or knife, so the adaptor can be mounted again in the same position. On page 10 more information is available about the rotation position.

3



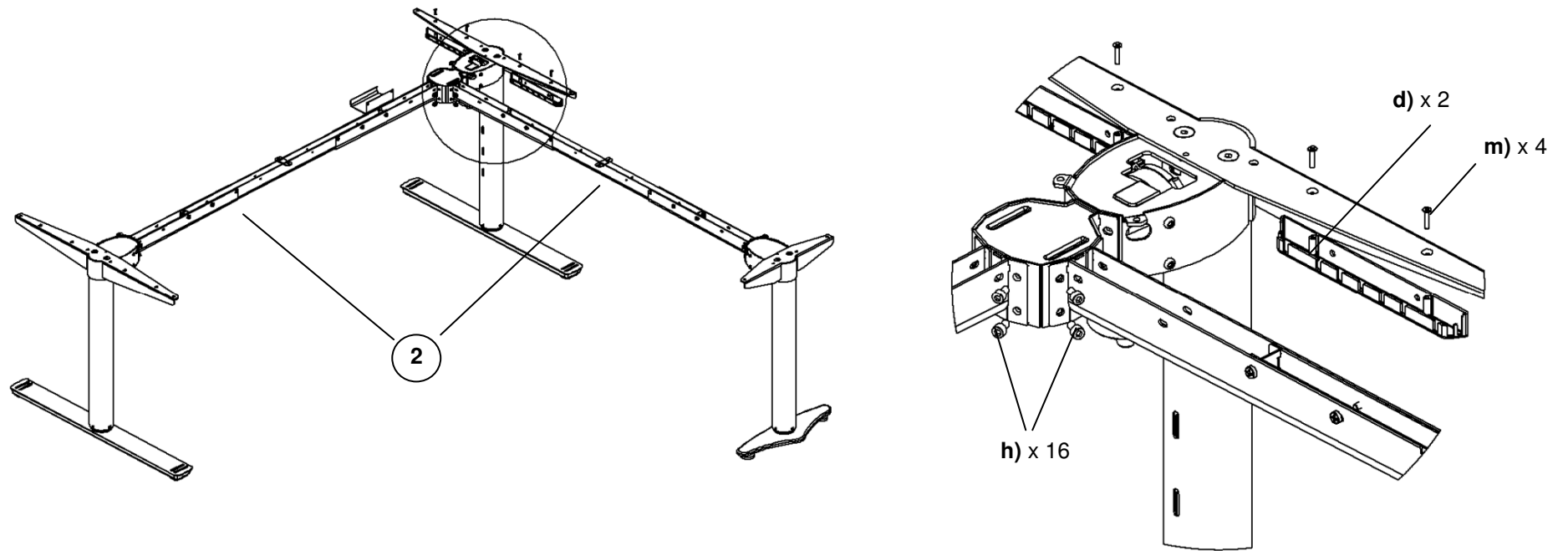
Step 3a
Mount 2 bolts (g) in the lowest position first.

Step 3b
Slide the gearcover (8) into position.

Step 2c
Mount the remaining 2 bolts (g) and tighten all bolts (g).

position of white bearing, this always faces the 3'rd leg left or right handed.

4



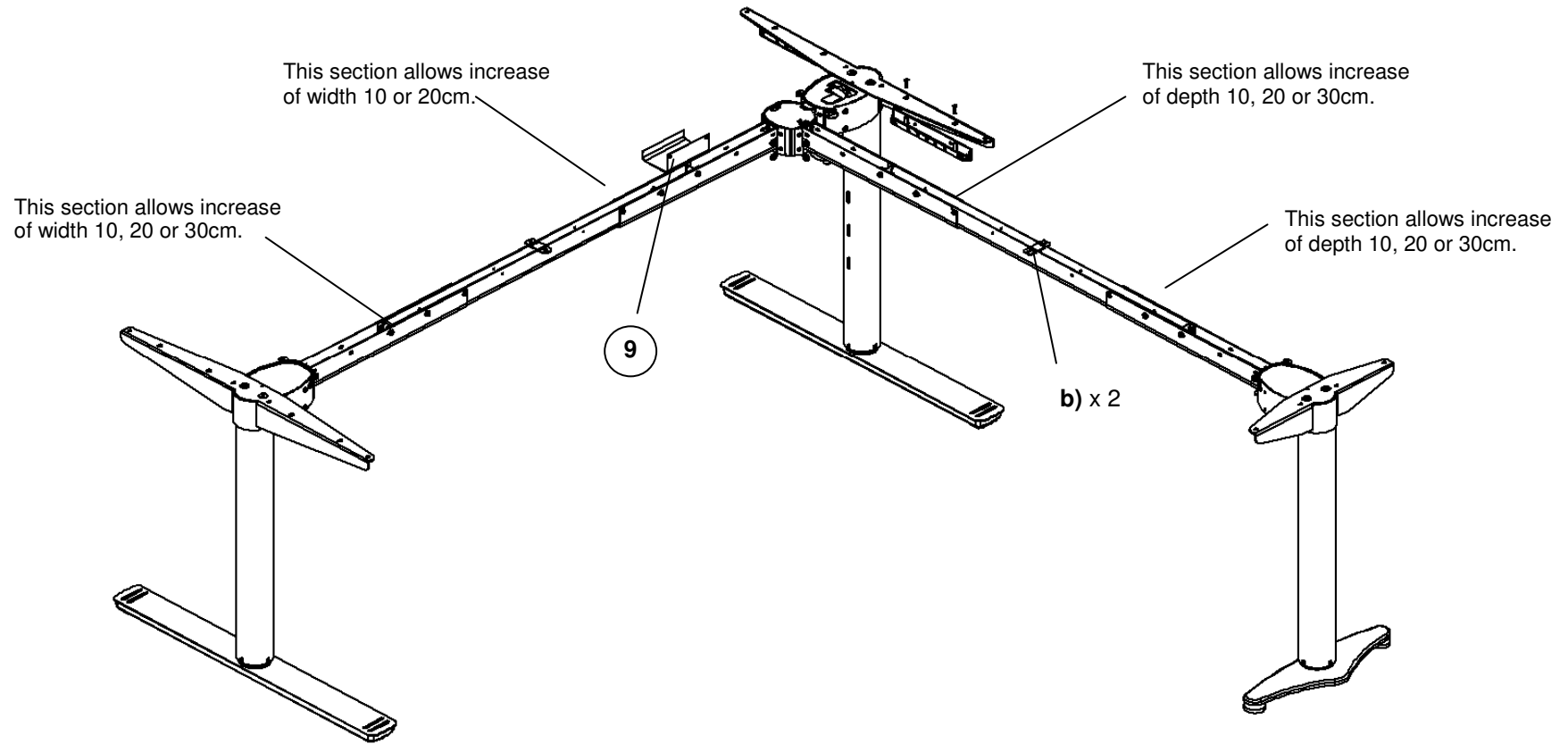
Step 4a

Mount traverses (2) using 16 allen screws (h).

Step 4b

Mount cable channels (d) using 4 screws (m).

5



Step 5a

Mount 2 tabletop brackets (b).

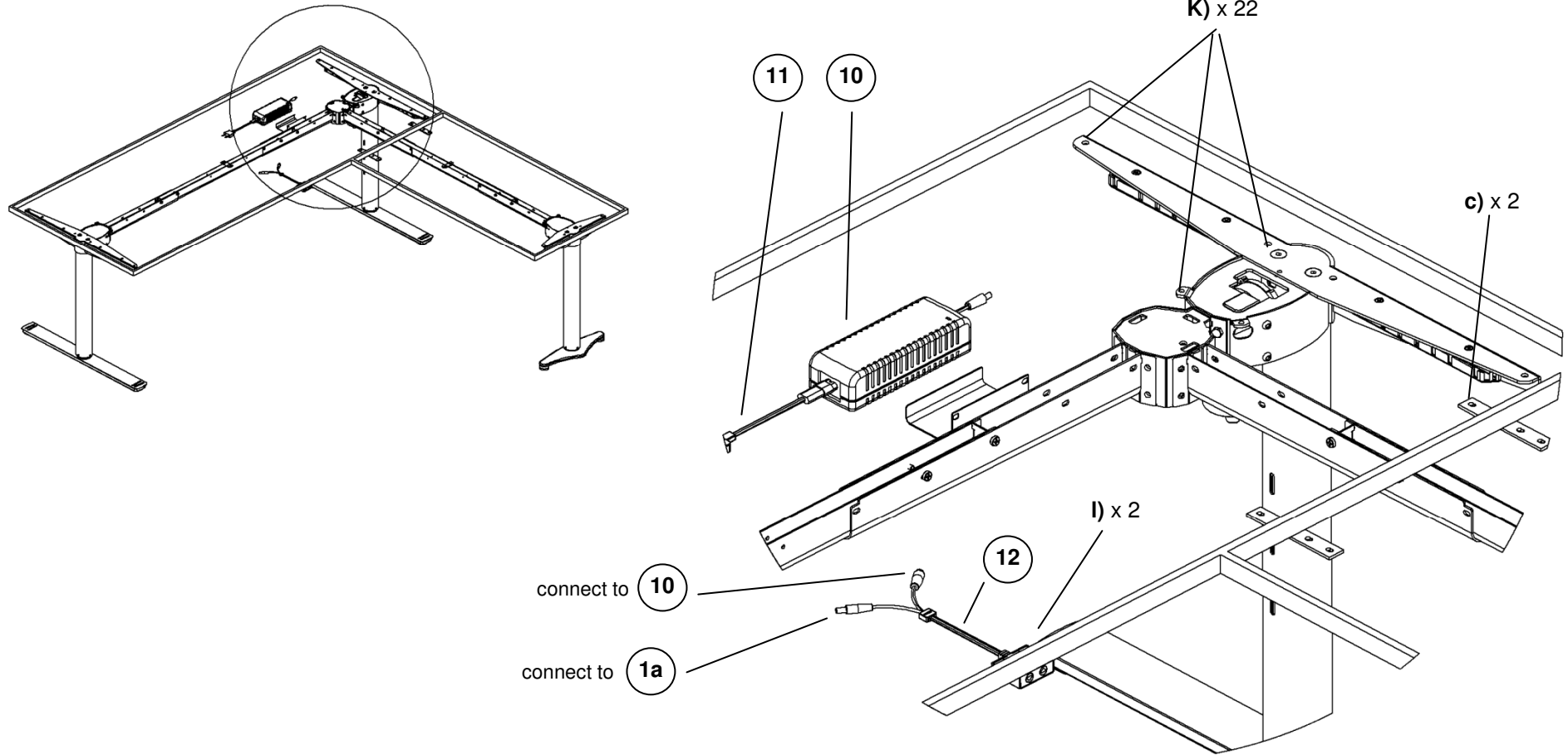
Step 5b

Adjust width and depth of desk frame – see possibilities above, accordingly to tabletop size.

Step 5c

Mount power supply bracket (depending on frame width i and j may be needed for mounting this bracket).

6



Step 6a

Place power supply (10) in bracket and connect the handset (12) follow the illustration and connect the wires, last of all plug into the mains supply.

Step 6b

Test the frame: Holding handset (12) press the ^ button and raise the frame approximately 10-20cm.

Step 6c

Check the frame is level: Measure the height of each leg from the floor to top of each leg, if all 3 are all equal with 5mm or less variation in height then continue to the next step. If the legs are different heights by more than 5mm then assembly is incorrect so go to page 10 for further instruction to resolve before continuing to step 6d.

Step 6d

Fix the table top to the frame with screws (k). For stability reasons it is very important to use all 22 wood screws (k).

Step 6e

Mount the control panel (12) using 2 screws (I)

How to adjust height of columns.

If the columns end up not having the same height, this can be corrected either by adjusting the adjustable gliders or by following the instruction below.

If the column **A** is so low or too high

- Remove screws fixing the column to the travers.
- Remove the screw fixing the adaptor.
- Rotate the adaptor. Changing the rotation with 1 tooth will change the height with 4mm. If rotating CW (see arrow on drawing) the column will decrease in height.

If the column **B** is too low or too high

- Remove screws fixing the column to the travers.
- Remove the screw fixing the adaptor.
- Rotate the adaptor. Changing the rotation with 1 tooth will change the height with 4mm. If rotating CW (see arrow on drawing) the column will decrease in height.

