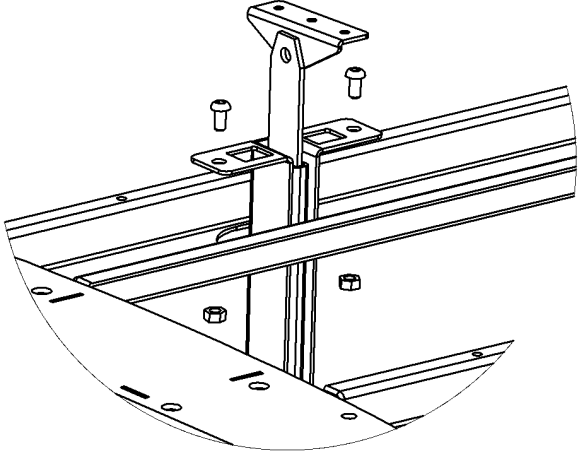
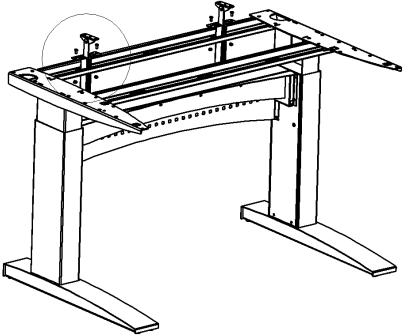
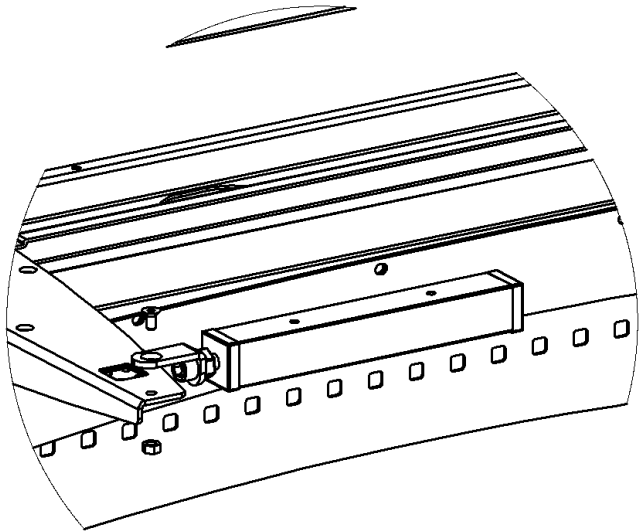
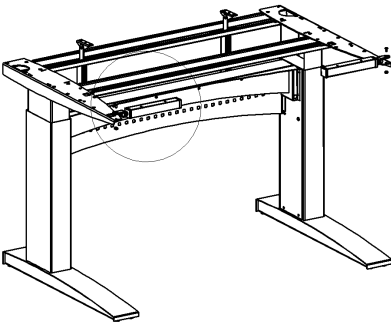


Mounting instruction, tilting gear full top, 501-11

1.



2.



moved to top position for releasing the angular brackets