

Documentation electrical frame model 501-7

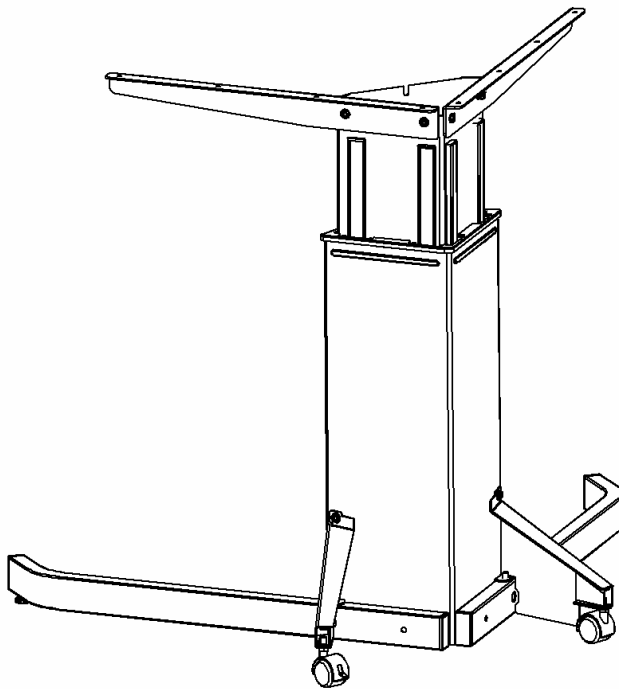
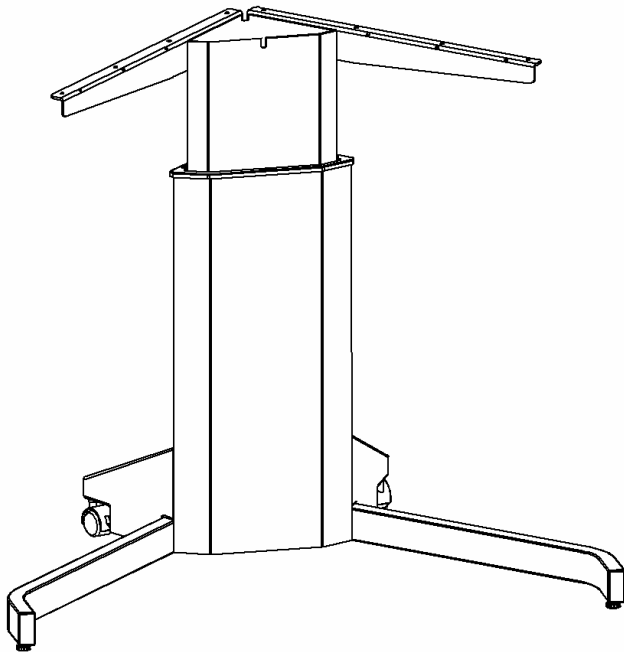
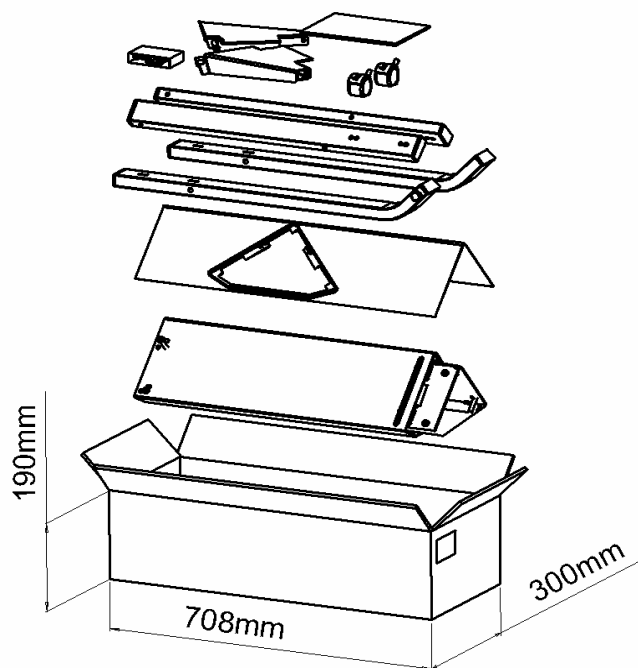


Table of contents

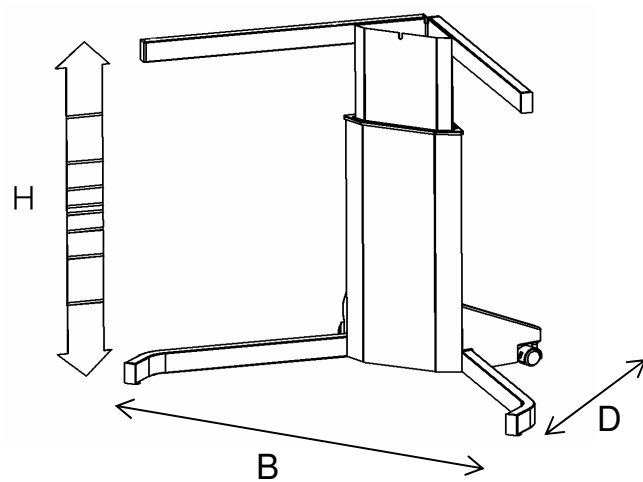
Technical specifications	page 3
Main measures	page 4
Assembly and use	page 5
Performance	page 6
Strength, durability and stability	page 7
Component specifications	page 8

Technical specifications

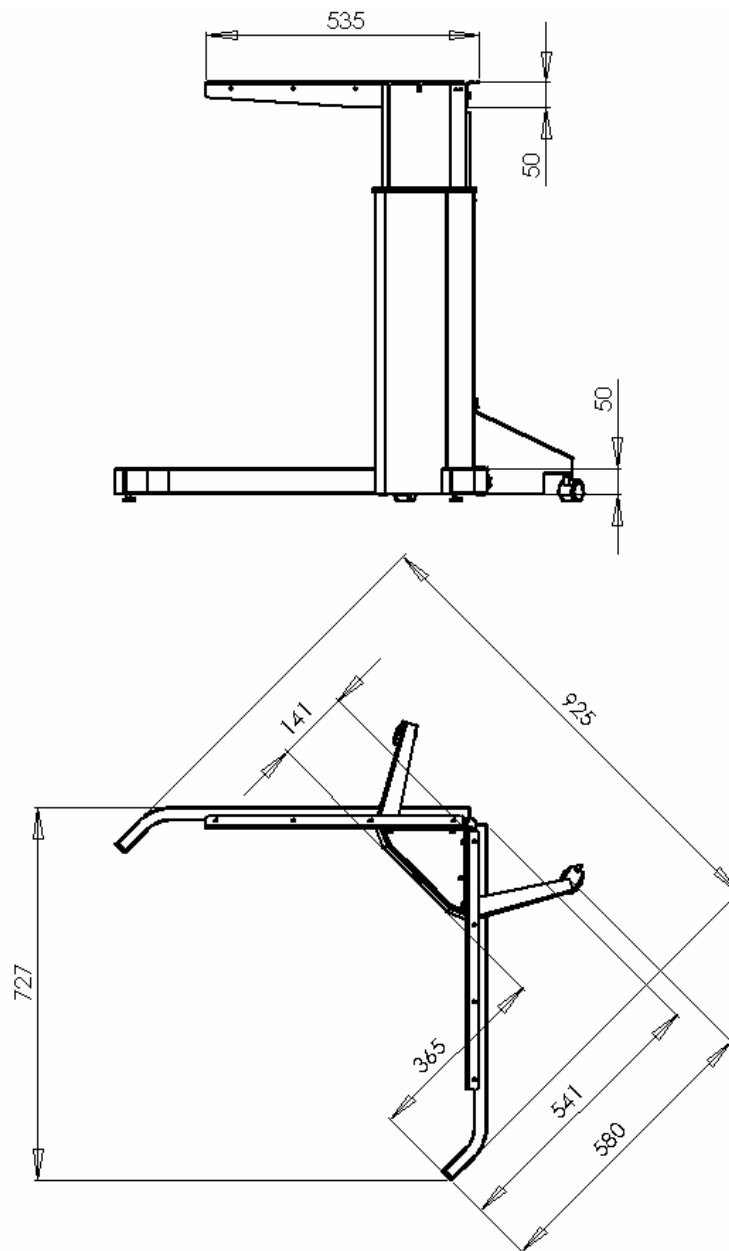


35 kg

	501-7 7B
H [mm]	Min. 658 – max. 1107
D [mm]	580
B [mm]	925



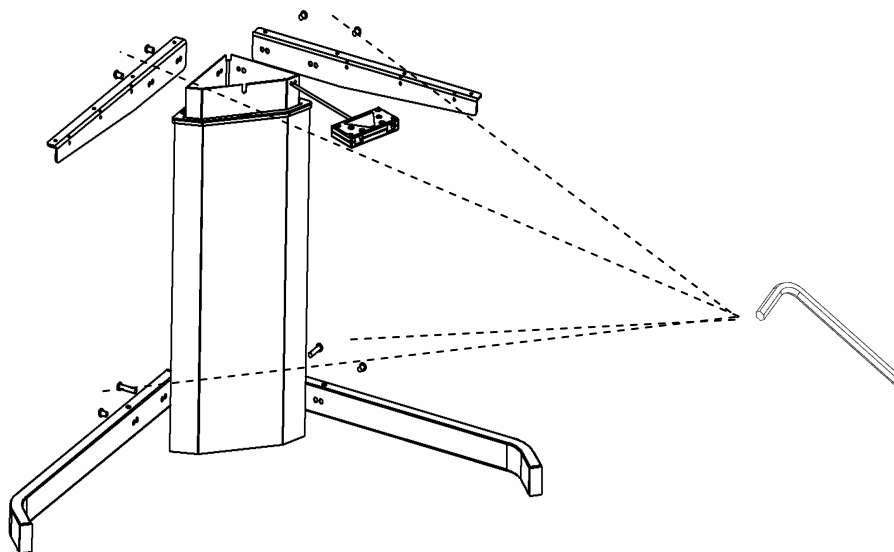
Main measures



If further documentation needed, please ask your dealer for dwg documentation for the different kind of models.

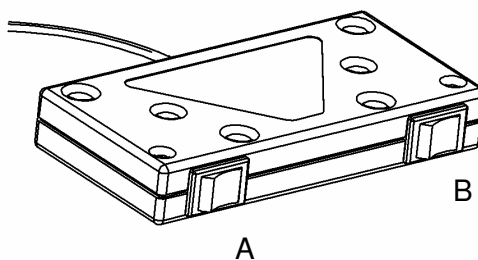
Assembly and use

Along with all products a “Direction for assembly and use” is delivered. In this you will find a detailed description of the way of assembly, please find the sketch below coming from this instruction.



After the frame has been mounted the chosen tabletop is mounted and the operation unit will be possible to fix at the bottom side of the tabletop. This operation unit has two rocker switches.

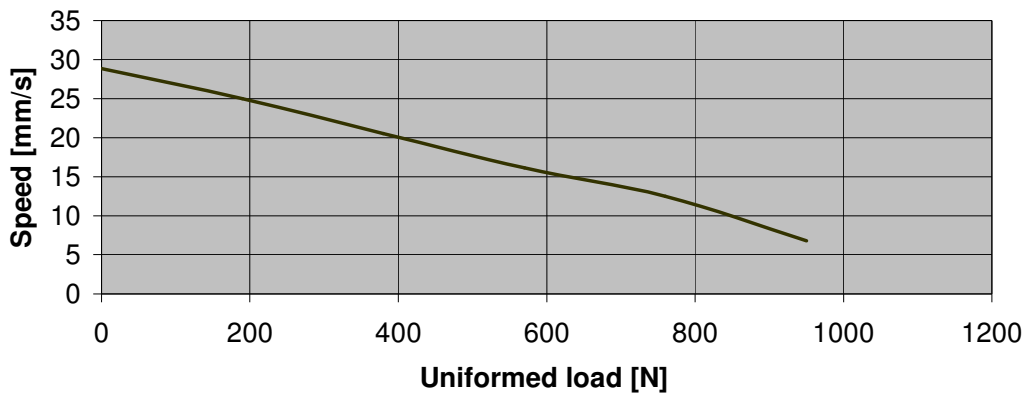
With rocker switch A and B it is possible to move the tabletop up and down and can be stopped at all levels. For safety reasons it is necessary to push both buttons at the same time for moving the table up and down.



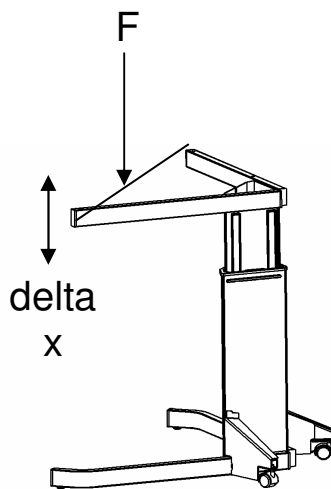
Performance

Performance, load/speed

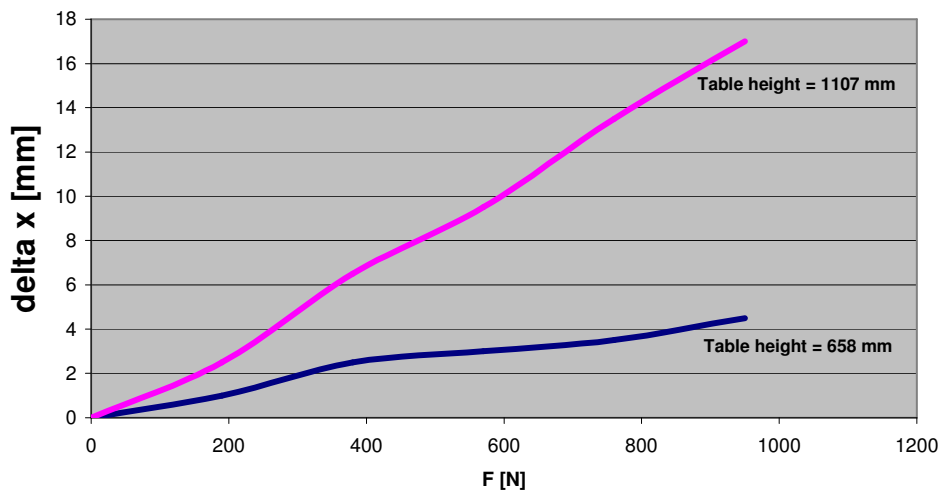
Speed [mm/sec.]



Rigidity in frame



Deflection x [mm]



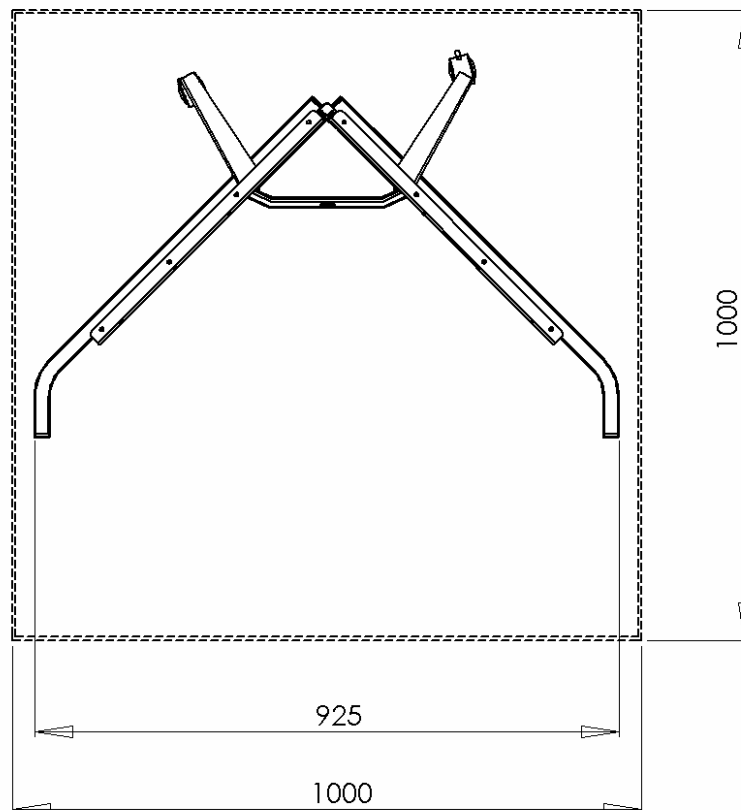
Strength, durability and stability

All products have been tested up against the following norms:

ISO/DIS 8019
DS/ISO 7172

Regarding the demands about stability these only will be obtained, if the tabletop size do not exceed the measures specified below.

The norms mention about is possible to find at the homepage in the section “Norms and approvals”.



Component specifications

Metal sheet parts:	St 37-2
Gear parts:	St 70-2
Gear motor:	CSE 24V 300047
Power supply:	60 W AC Power Transformer Consumption: 60 Watts; Standby: 0,01 Watts
Plastic components:	PEHD, PA6
Surface treatment	Visible metal parts powder coated in black/"alu" colour Non visible metal parts are surface treated (e.g. zinc plated)