

**Product data sheet:
Electric height adjustable desk frame 501-25**



Table of contents

Packing details3

Main measures and specifications4

Tabletop drillings5

Assembly and use6

Safety and tests7

Component specifications.....8

Packing details

501-25 - box measures

Box of legs

501-25 XXXXX | WxDxH | 710 x 160 x 690 [mm] | 27-15/16" x 6-5/16" x 27-3/16" [inch]

Box of cross bars

501-2X XX084	LxWxH	790 x 185 x 100	[mm]	31-1/8" x 7-5/16" x 3-15/16"	[inch]
501-2X XX129	LxWxH	1240 x 185 x 100	[mm]	48-13/16" x 7-5/16" x 3-15/16"	[inch]
501-2X XX133	LxWxH	1280 x 185 x 100	[mm]	50-3/8" x 7-5/16" x 3-15/16"	[inch]
501-2X XX144	LxWxH	1390 x 185 x 100	[mm]	54-3/4" x 7-5/16" x 3-15/16"	[inch]
501-2X XX152	LxWxH	1470 x 185 x 100	[mm]	57-7/8" x 7-5/16" x 3-15/16"	[inch]
501-2X XX172	LxWxH	1670 x 185 x 100	[mm]	65-3/4" x 7-5/16" x 3-15/16"	[inch]

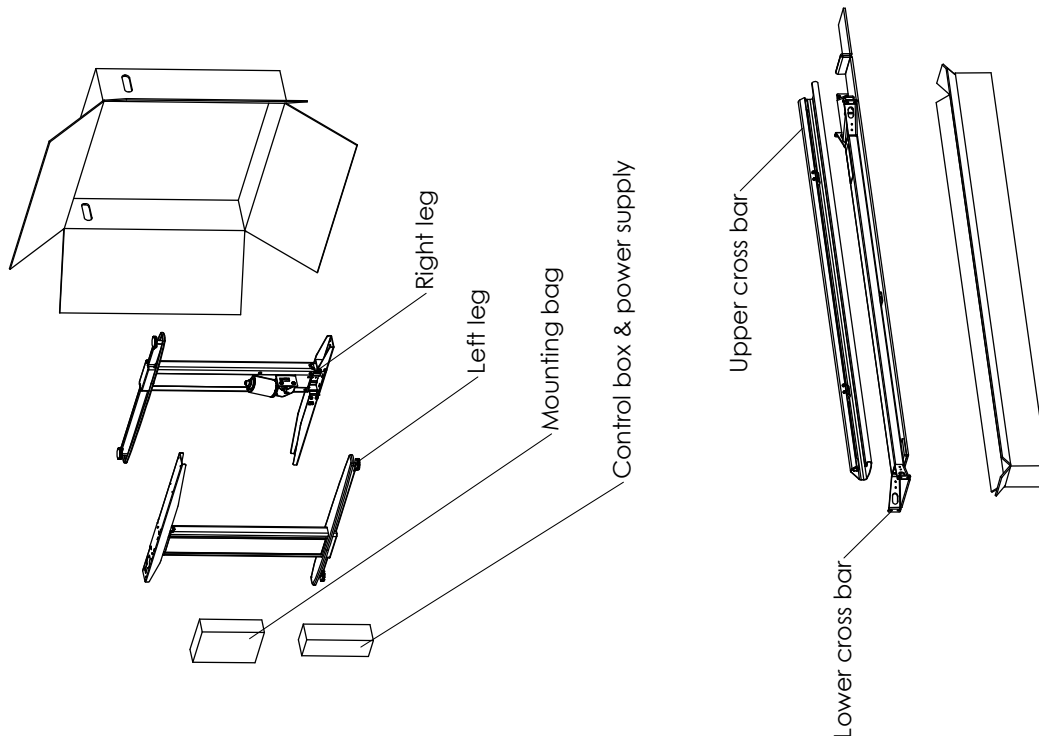
501-25 - box weights

Box of legs

501-25 XXXXX | 20 [kg] | 44 [lbs]

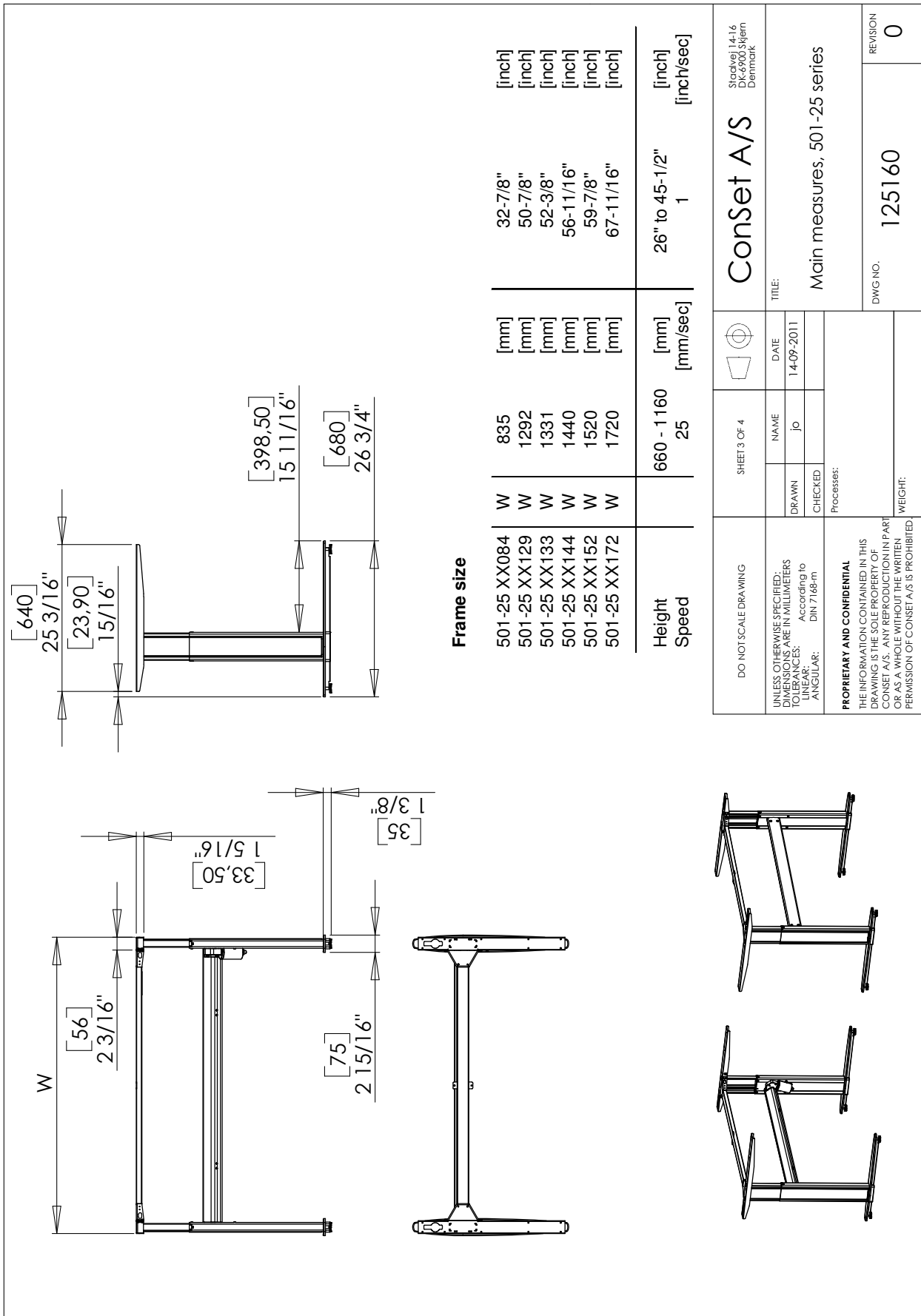
Box of cross bars

501-2X XX084	[kg]	9	[lbs]
501-2X XX129	[kg]	11	[lbs]
501-2X XX133	[kg]	13	[lbs]
501-2X XX144	[kg]	14	[lbs]
501-2X XX152	[kg]	15	[lbs]
501-2X XX172	[kg]	17	[lbs]

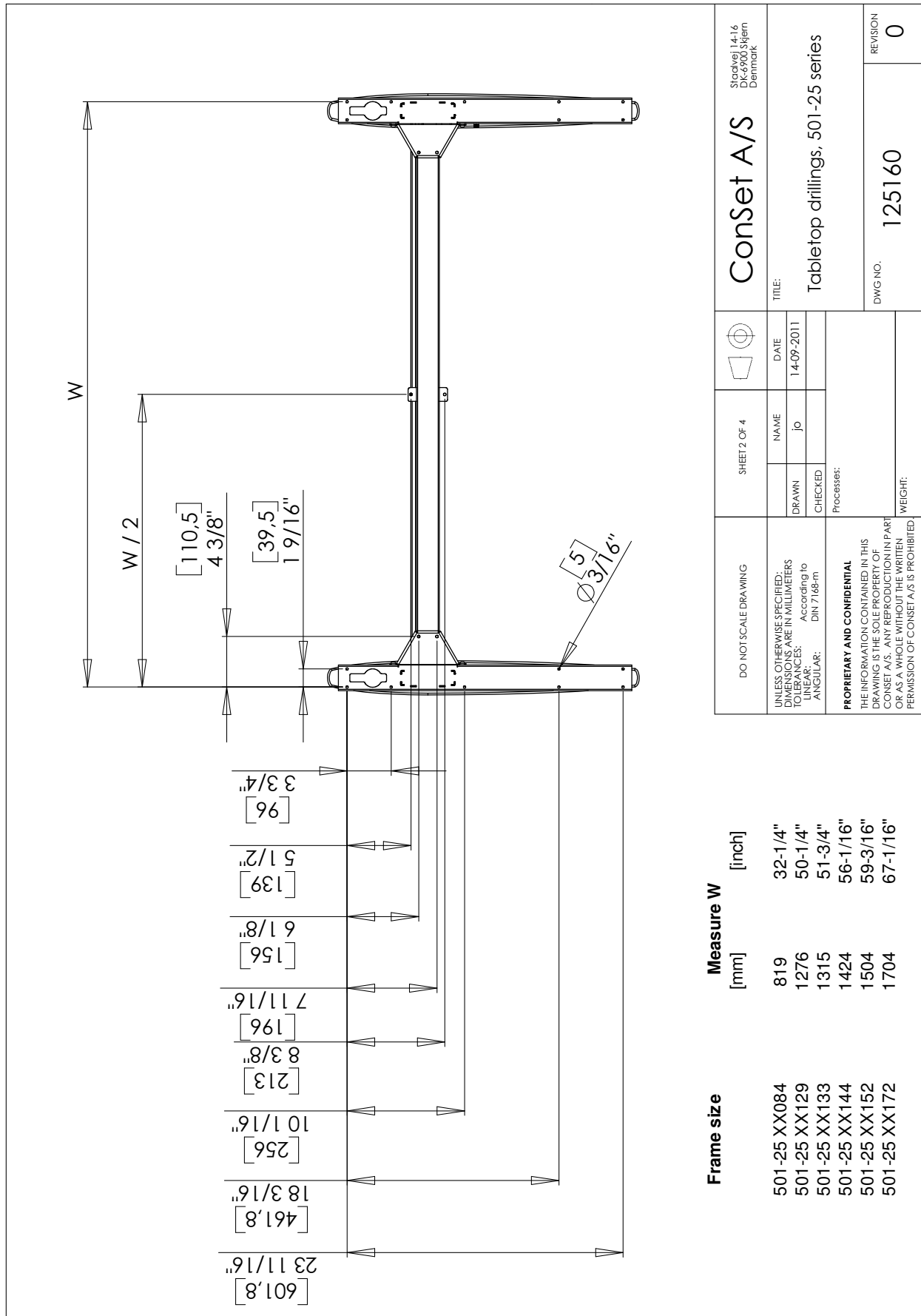


DO NOT SCALE DRAWING	SHEET 4 OF 4	ConSet A/S	Staalvej 14-16 DK-6900 Skjern Denmark
UNLESS OTHERWISE SPECIFIED: DIMENSIONS ARE IN MILLIMETERS TOLERANCES: LINEAR: According to ANGULAR: DIN 7168-m	DRAWN: jo CHECKED: Processes:	Box components, 501-25 Series	REVISION: 0
PROPRIETARY AND CONFIDENTIAL THE INFORMATION CONTAINED IN THIS DRAWING IS THE SOLE PROPERTY OF CONSET A/S. ANY REPRODUCTION IN PART OR AS A WHOLE WITHOUT THE WRITTEN PERMISSION OF CONSET A/S IS PROHIBITED.	DATE: 03-02-2011	DWG NO. 125160	REVISION: 0
	WEIGHT:		

Main measures and specifications



Tabletop drillings



DO NOT SCALE DRAWING	SHEET 2 OF 4	ConSet A/S	Stadshøj 14-16 DK-9000 Skjern Denmark
UNLESS OTHERWISE SPECIFIED: DIMENSIONS ARE IN MILLIMETERS TOLERANCES: According to LINEAR: DIN 7168-m ANGULAR:	DRAWN: jo CHECKED: Processes:	TITLE: Tabletop drillings, 501-25 series	DWG NO. 125160 REVISION 0
PROPRIETARY AND CONFIDENTIAL THE INFORMATION CONTAINED IN THIS DRAWING IS THE SOLE PROPERTY OF CONSET. IT IS TO BE USED ONLY IN PART OR AS A SAMPLE WITHOUT THE WRITTEN PERMISSION OF CONSET A/S IS PROHIBITED.	DATE 14-09-2011	WEIGHT:	

Assembly and use

Along with all products a "Direction for assembly and use" is delivered. In this you will find a detailed description of the way of assembly.



After the frame has been mounted the chosen tabletop is mounted and the operation unit will be possible to fix at the bottom side of the table top. This operation unit has a push switch and a rocker switch.

With push switch A and rocker switch B it is possible to move the tabletop up and down and can be stopped at all levels. For safety reasons it is necessary to push both buttons at the same time for moving the table up and down.



Safety and tests

All ConSet sit and stand desk frames meet the necessary requirements within the following relevant categories:

- EN 527-1: Office furniture – Workplaces and desks – Part 1:
Dimensions
- EN 527-2: Office furniture – Workplaces and desks – Part 2:
Mechanical safety requirements
- EN 527-3: Office furniture – Workplaces and desks – Part 3:
Methods of test for the determination of the stability and the mechanical strength of the structure.

Declaration of conformity

We hereby declare, under our sole responsibility that the following product:

- ConSet sit and stand table product type **501-25**

is in accordance with:

- Directive 2006/42/EF of The European Parliament and of the Council of 17 May 2006 on machinery and on changes of directive 95/16/EF

With reference to the above please be aware that:

- the sit and stand table is considered a machine and
- the sit and stand table may not be used until it has been assembled and installed according to the instructions.

Component specifications

Metal sheet parts:	St 37-2
Gear parts:	St 70-2
Gear motor:	CS no. 107630
Power supply:	80 W AC Power Transformer Input 100-240 VAC ~ 50/60Hz Consumption: 80 Watts; Standby: Less than 1 Watt
Plastic components:	PA6, POM, PE-HD
Surface treatment:	Visible metal parts powder coated in "alu" colour, RAL9006 and black, RAL9004. Non visible metal parts are surface treated (e.g. plated)