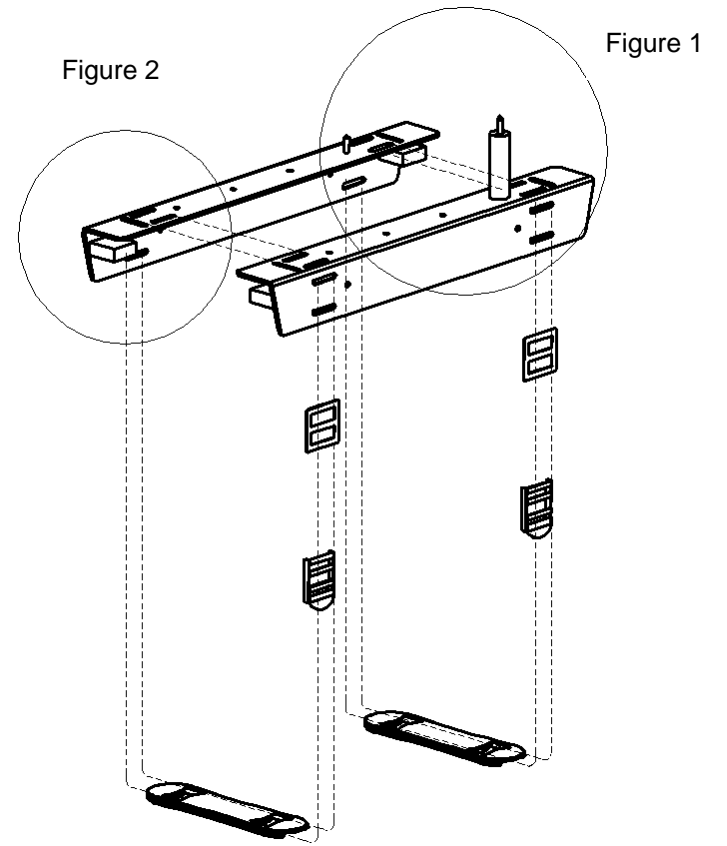
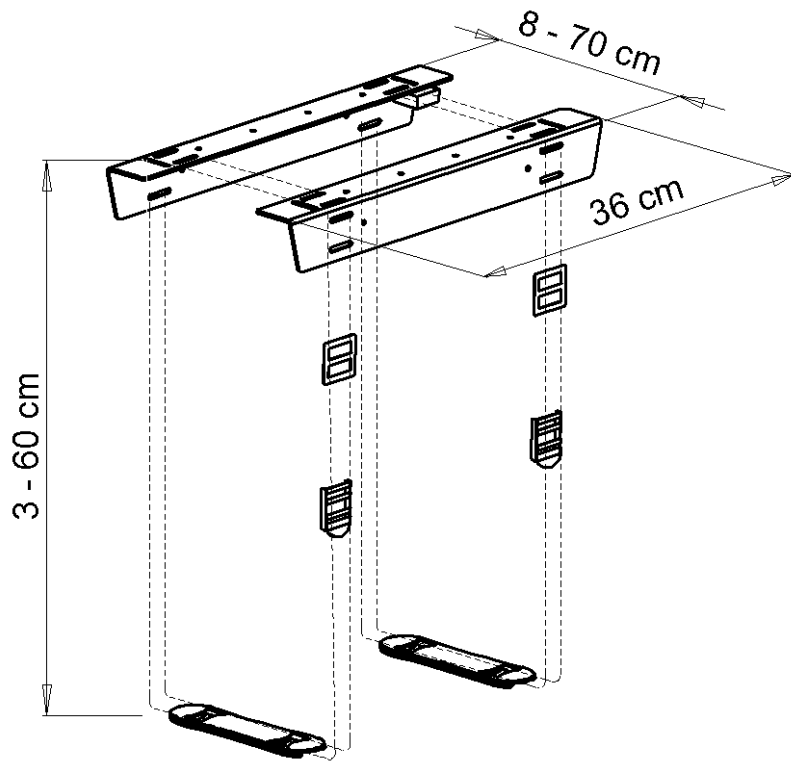


Mounting instruction, Universal CPU-Holder 400-3



Assembly instruction

1. Measure the width of the CPU and adjust the width of the CPU-Holder accordingly
2. Mount the CPU-Holder to the tabletop, figure 1
3. Place the shock absorbers, figure 2
4. Put the CPU into the CPU-Holder
5. Tighten the ropes when CPU is place correctly

