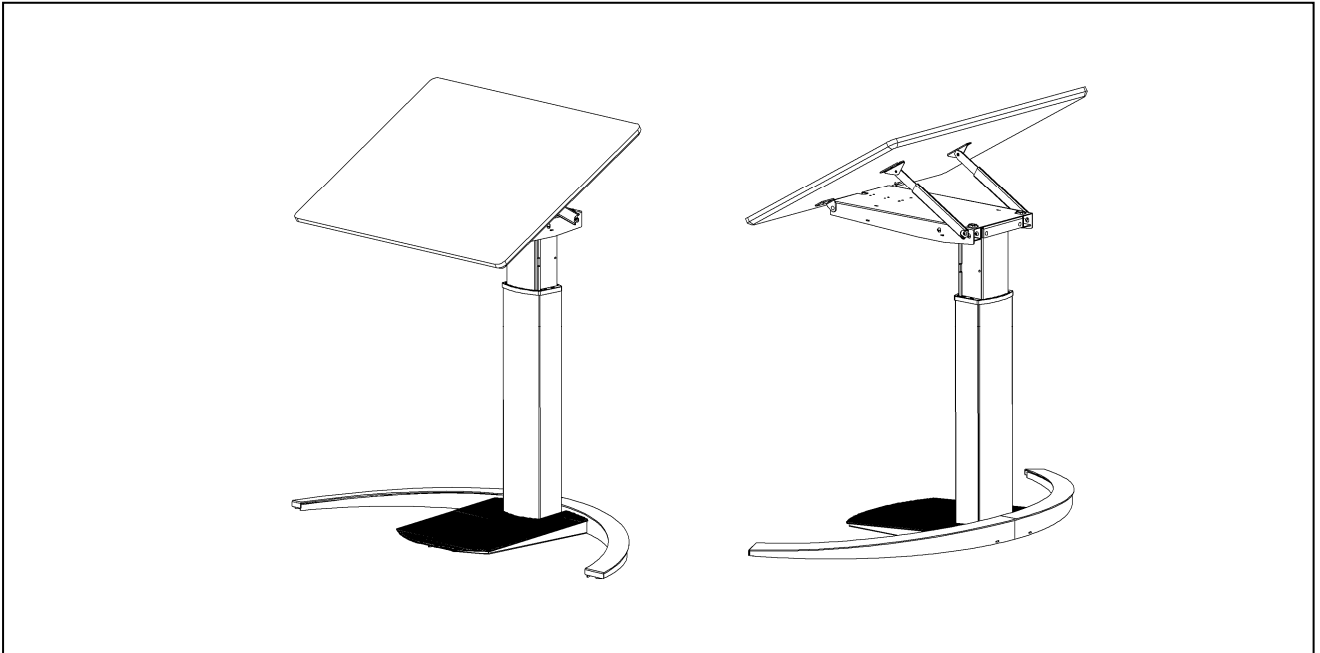
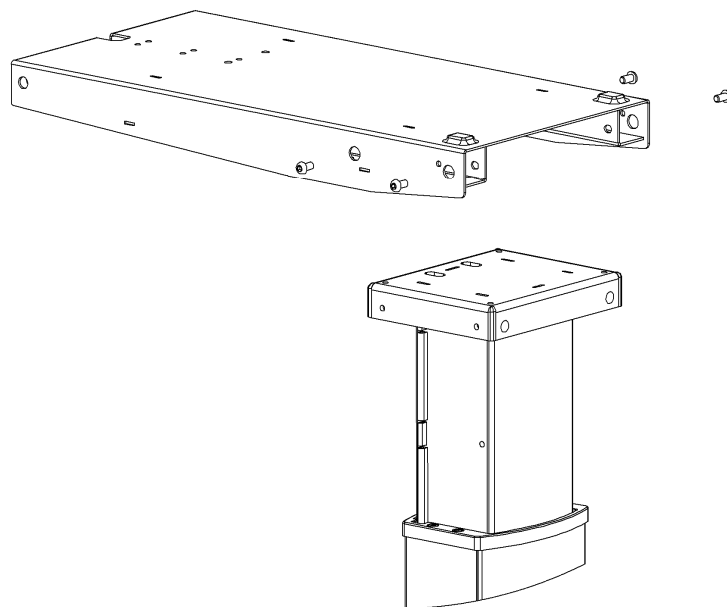


Tilt bracket for ConSet® model 501-19 and 501-23

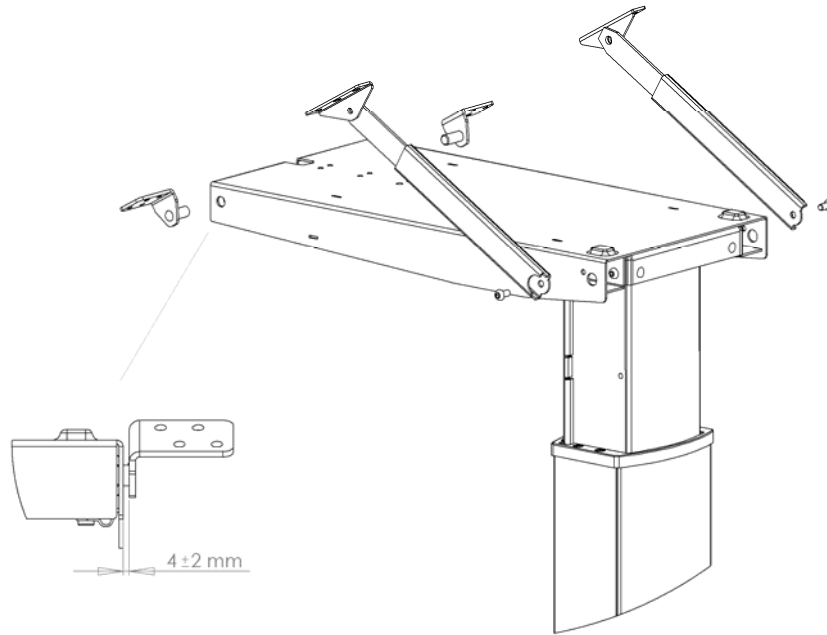


1.

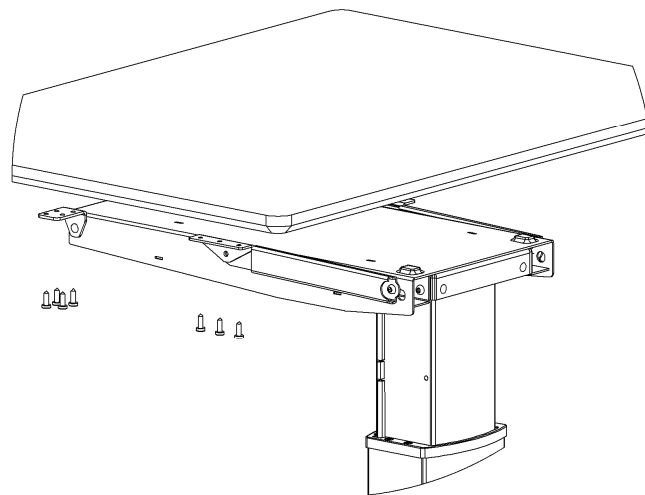


328940.0

2.



3.



4.

