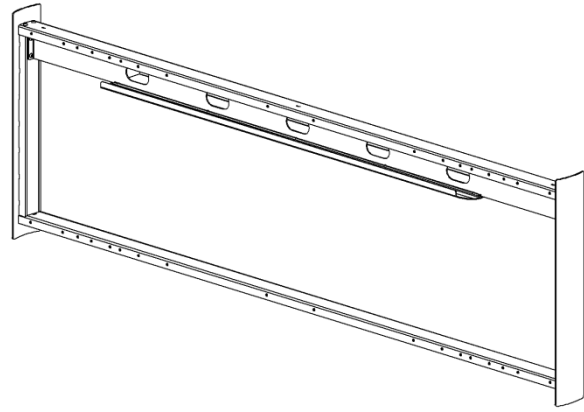
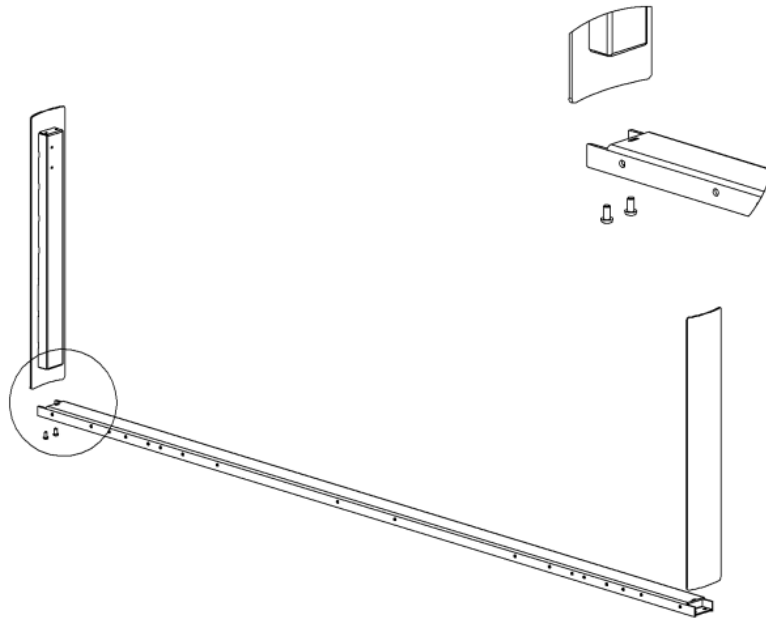


# Mounting instruction

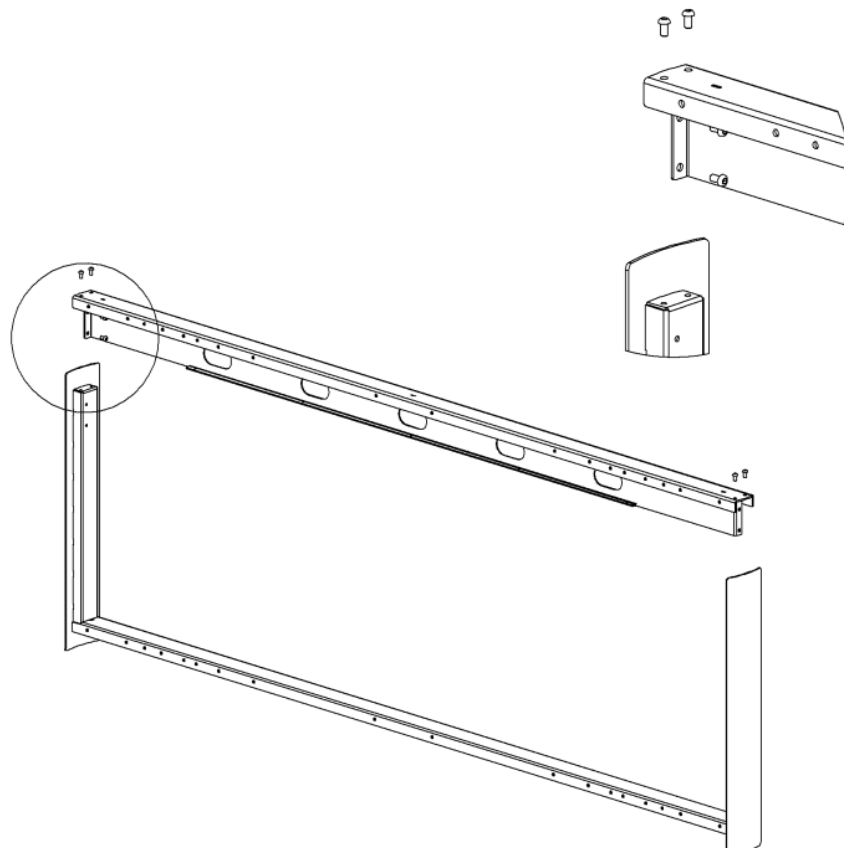
## 600-1X Bench frame



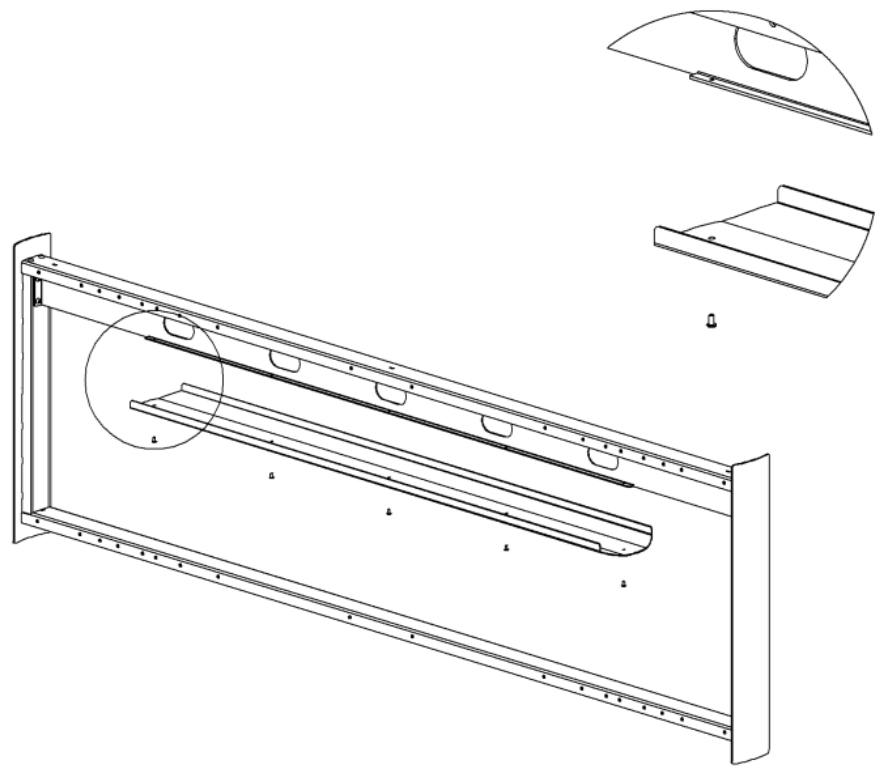
1.



2.



3.



4.

