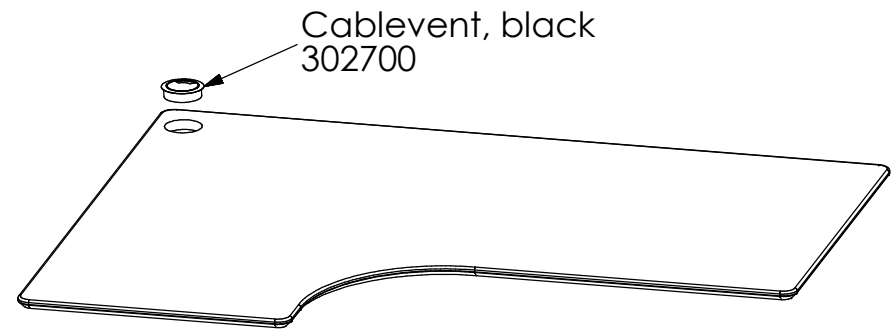
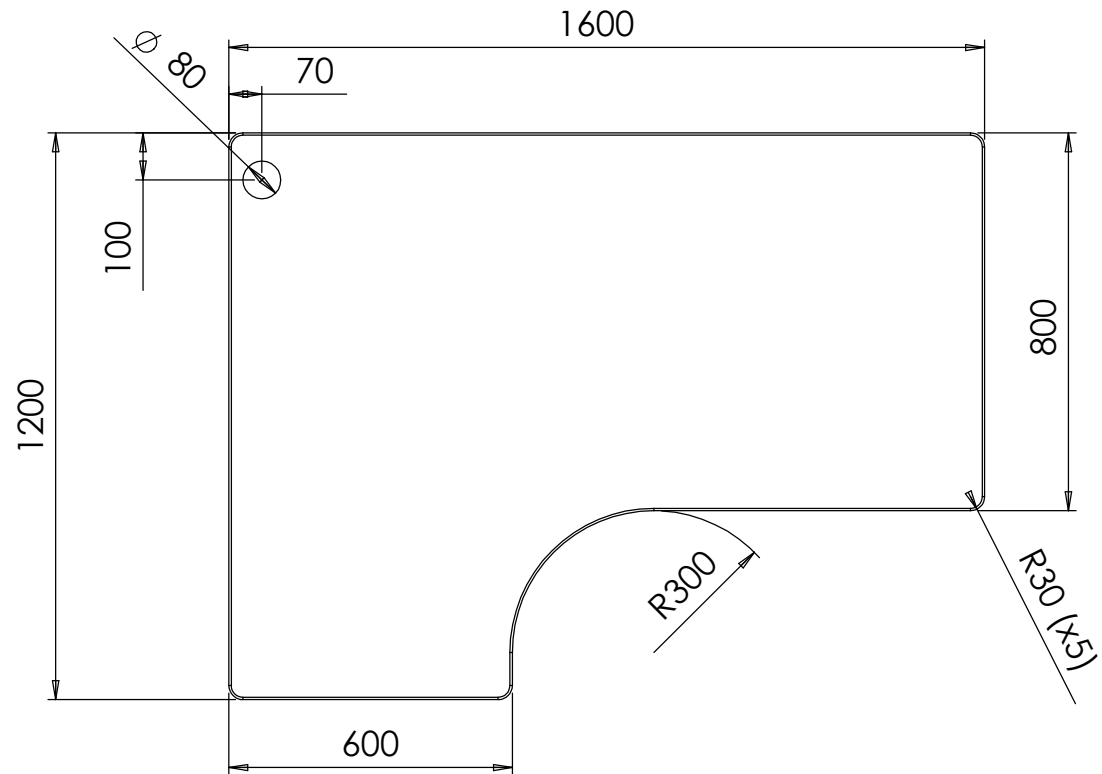
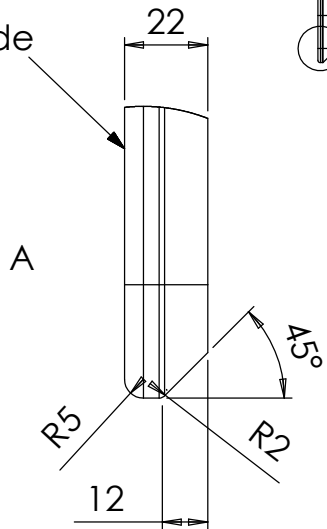


Veneer on upper side
Veneer class A



UNLESS OTHERWISE SPECIFIED DIMENSIONS ARE IN MM TOLERANCES ARE: -- --	MATERIAL SPECIFICATION: --		ConSet A/S Nygade 63 6900 Skjern Denmark
	PROCES SPECIFICATION: --		
MATERIAL MDF + veneer			Tabletop, left, 1600mm
FINISH Lacquered			
DO NOT SCALE DRAWING	DRAWN GL	CHECKED JO	DATE 020502
			XXXXXX
			REV. 0