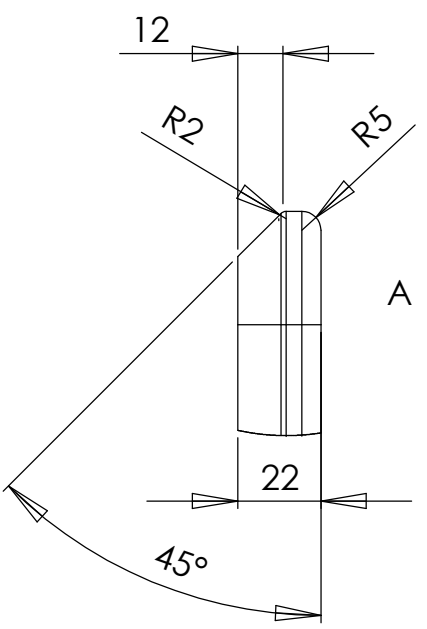
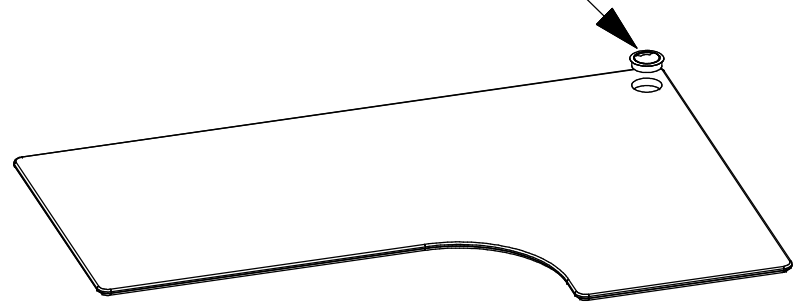


Cablevent, black
302700



UNLESS OTHERWISE SPECIFIED
DIMENSIONS ARE IN MM
TOLERANCES ARE:
According to DIN 7168-m

	MATERIAL SPECIFICATION: ---
	PROCES SPECIFICATION: ---
MATERIAL MDF + Veneer	---
FINISH Lacquered	---
DO NOT SCALE DRAWING	DRAWN: JO, CHECKED: GL, DATE: 060223

MATERIAL SPECIFICATION: ---	
PROCES SPECIFICATION: ---	

DRAWN	CHECKED
JO	GL
DATE 060223	

ConSet A/S <small>Staalvej 14-16 6900 Skjern Denmark</small>	
Tabletop, 180R	
XXXXXX	REV. 0