

**Product data sheet:
Electric height adjustable desk frame 501-11**

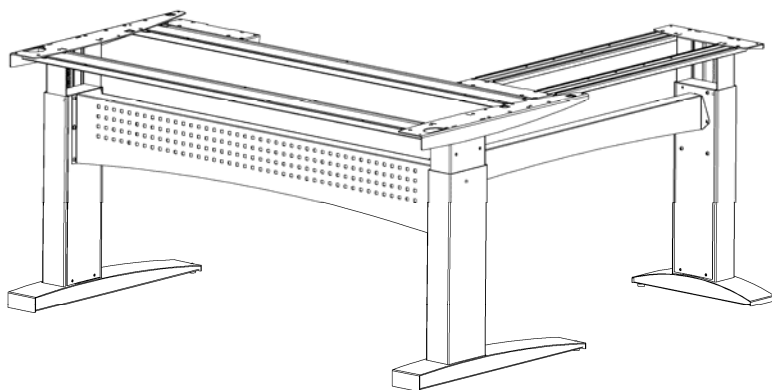
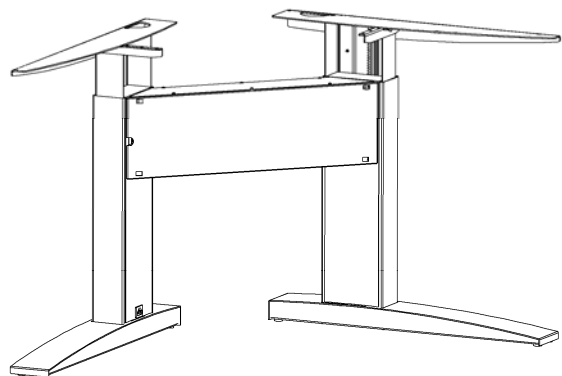
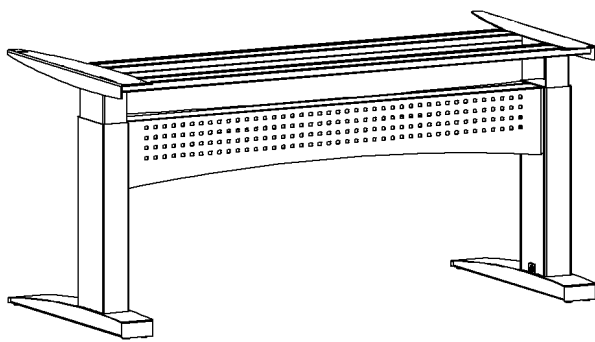
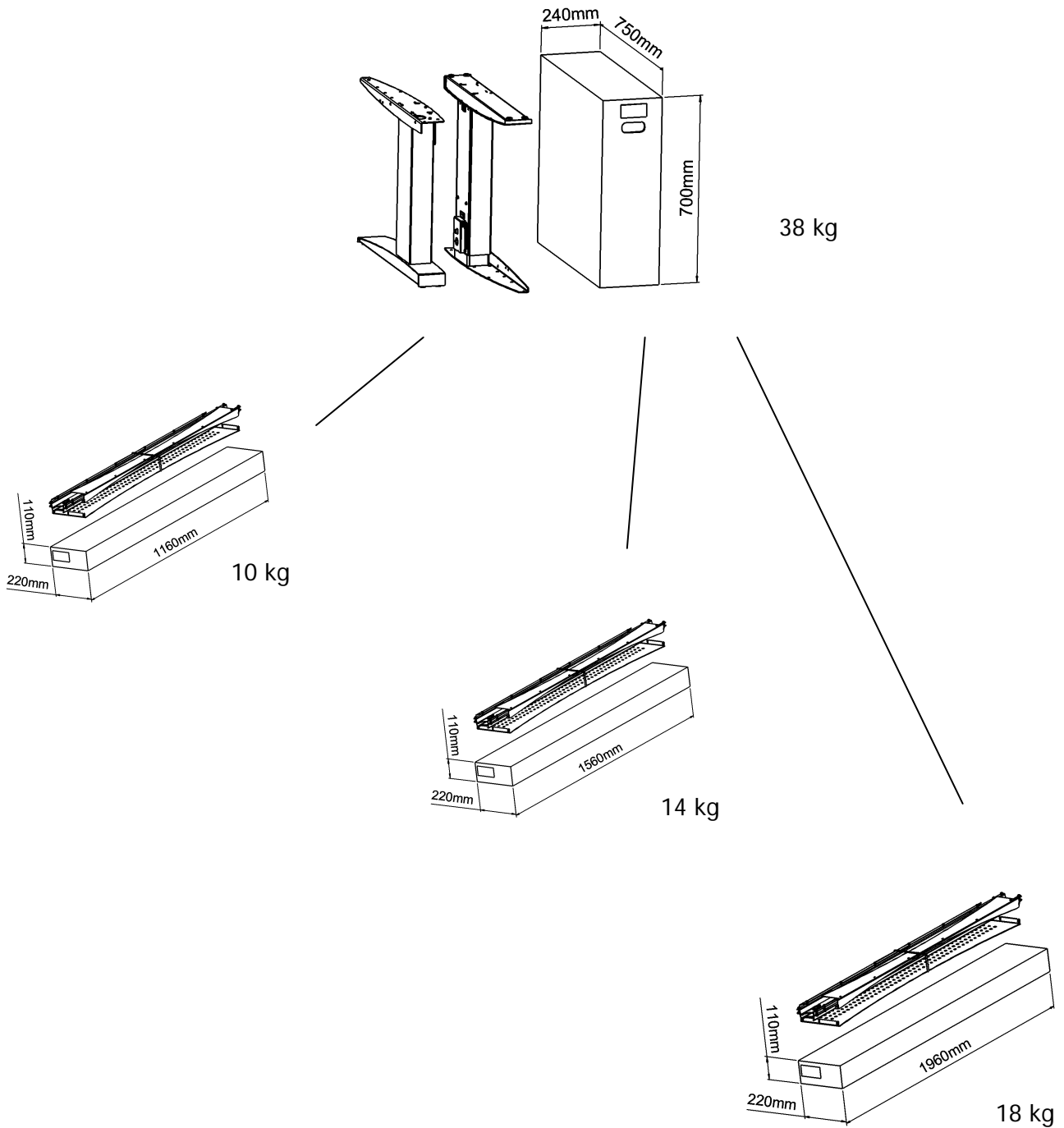


Table of contents

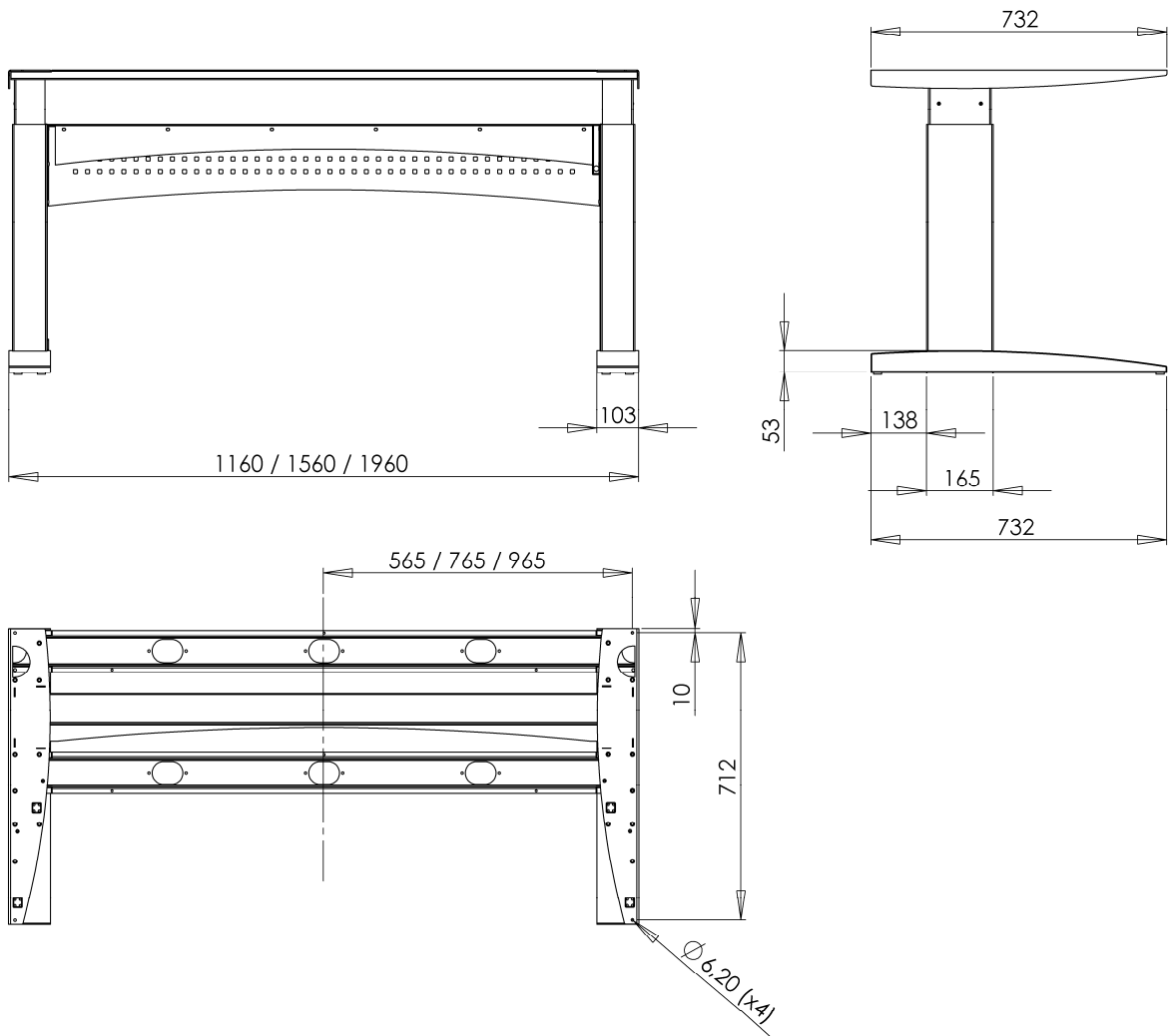
| | |
|-----------------------------------------------------------|---------|
| Packing details, 2 column straight frame | page 3 |
| Main measures and specifications, 2 column straight frame | page 4 |
| Tabletop drillings, 2 column straight frame | page 5 |
| Packing details, 2 column corner frame | page 6 |
| Main measures and specifications, 2 column corner frame | page 7 |
| Tabletop drillings, 2 column corner frame | page 8 |
| Packing details, 2 column corner frame | page 9 |
| Main measures and specifications, 2 column corner frame | page 10 |
| Tabletop drillings, 2 column corner frame | page 11 |
| Assembly and use | page 12 |
| Performance | page 13 |
| Safety and tests | page 14 |
| Component specifications | page 15 |



Packing details, 2 column straight frame



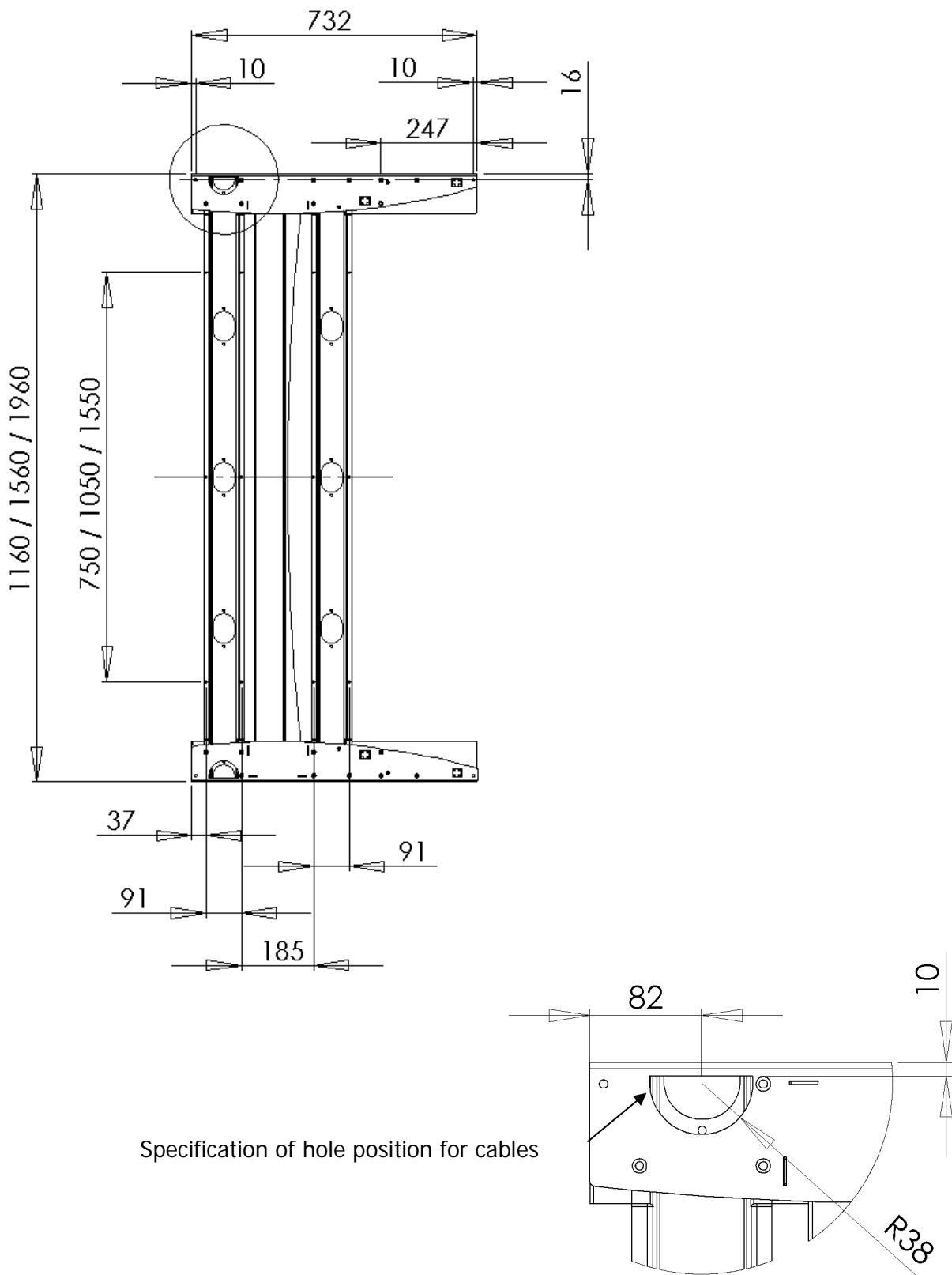
Main measures and specifications, 2 column straight frame



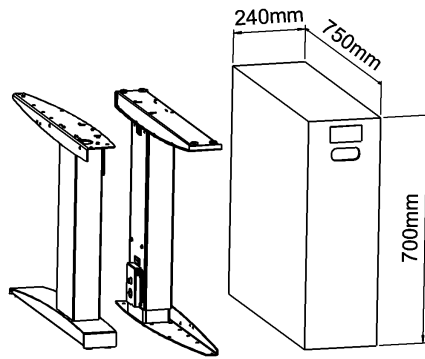
| | |
|-------------------------|------------|
| H (height), frame only | 63 - 120cm |
| Lifting capacity, frame | 150 kg |
| Speed | 28 mm/sec |

If further documentation needed, please find dwg documentation on the website.

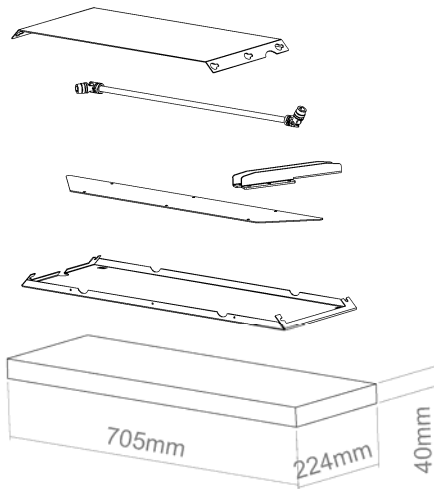
Tabletop drillings, 2 column straight frame



Packing details, 2 column corner frame

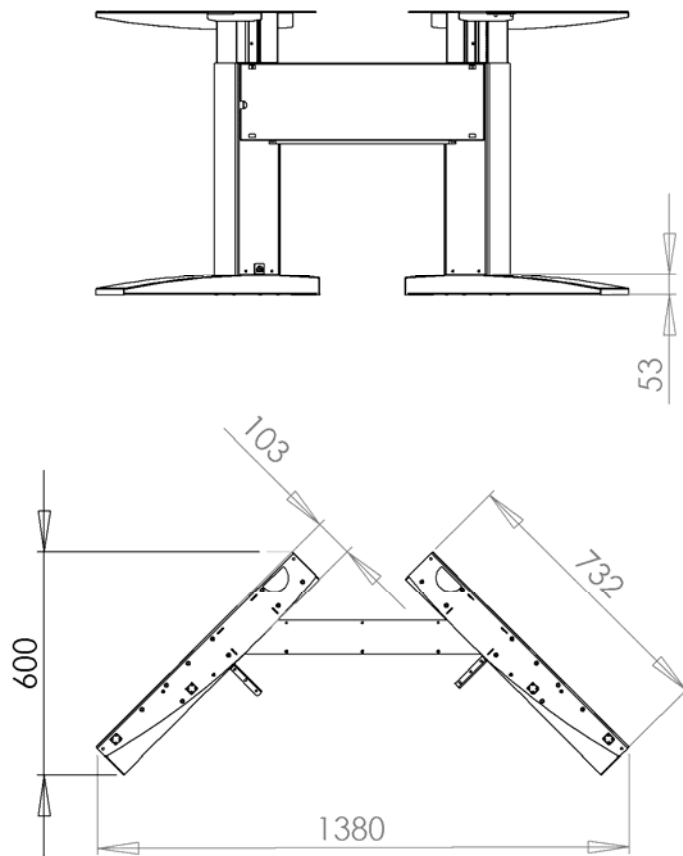


38 kg



5 kg

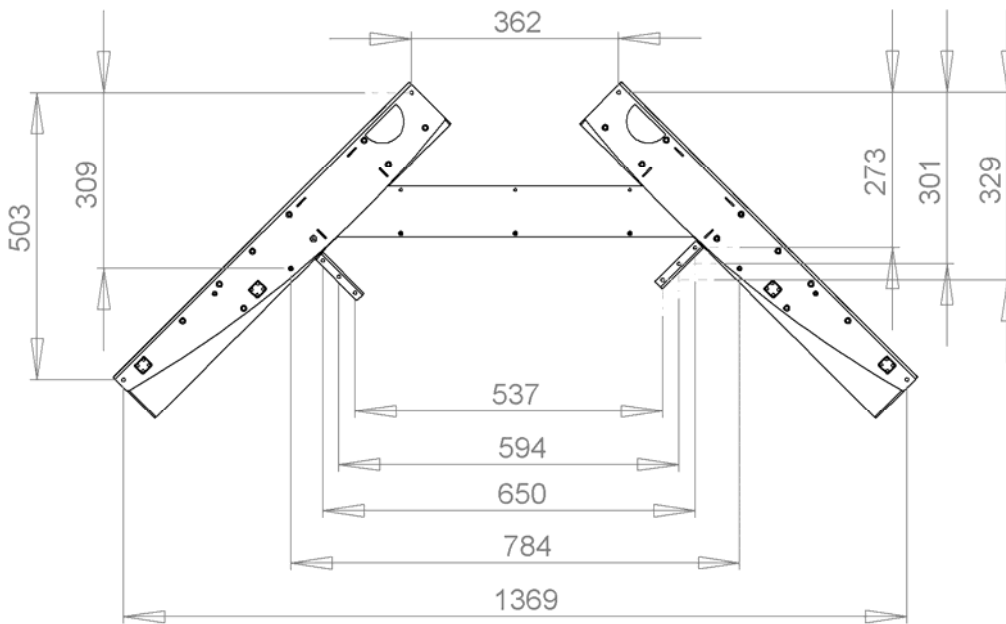
Main measures and specifications, 2 column corner frame



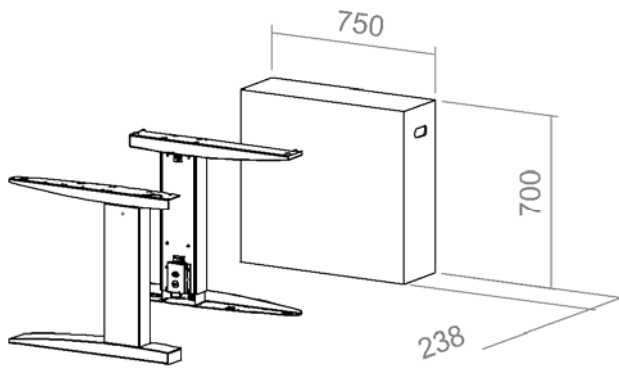
| | |
|-------------------------|------------|
| H (height), frame only | 63 - 120cm |
| Lifting capacity, frame | 100 kg |
| Speed | 28 mm/sec |

If further documentation needed, please find dwg documentation on the website.

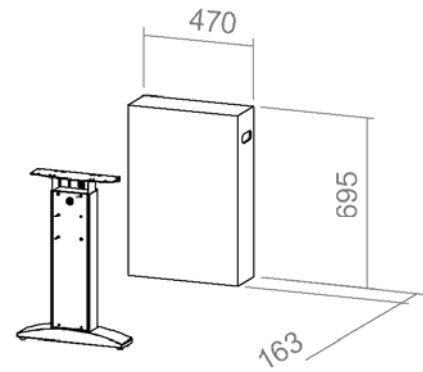
Tabletop drillings, 2 column corner frame



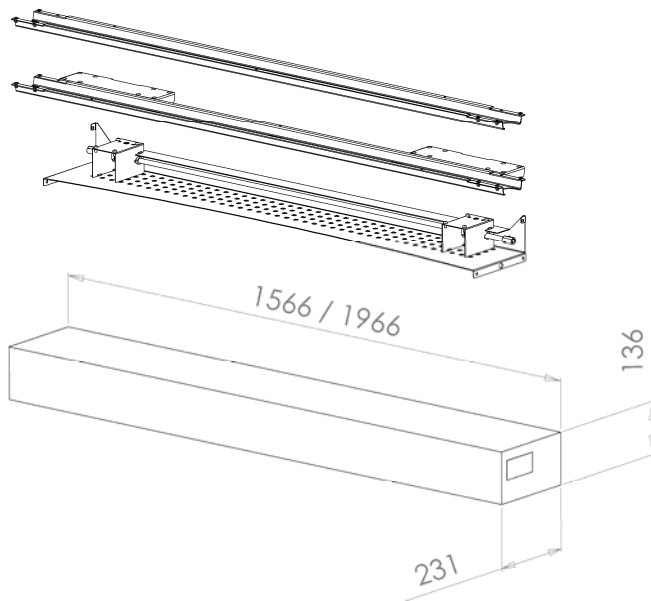
Packing details, 3 column corner frame



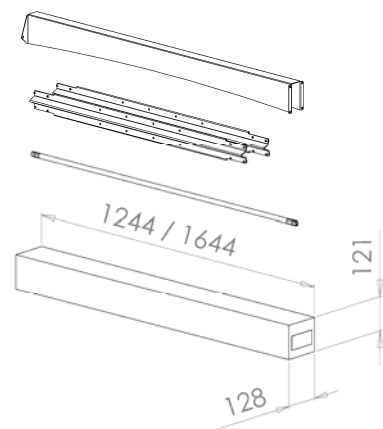
38 kg



15 kg

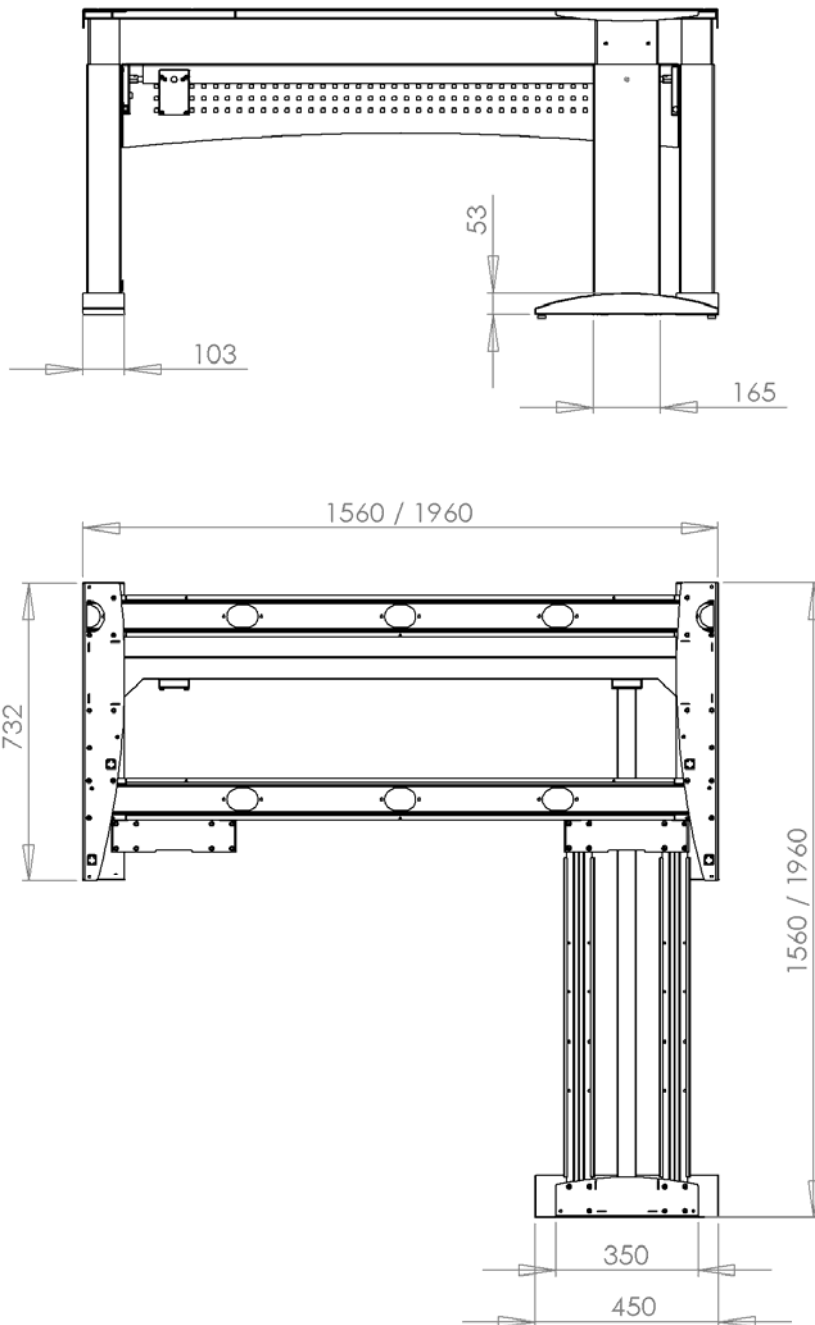


16 / 20 kg



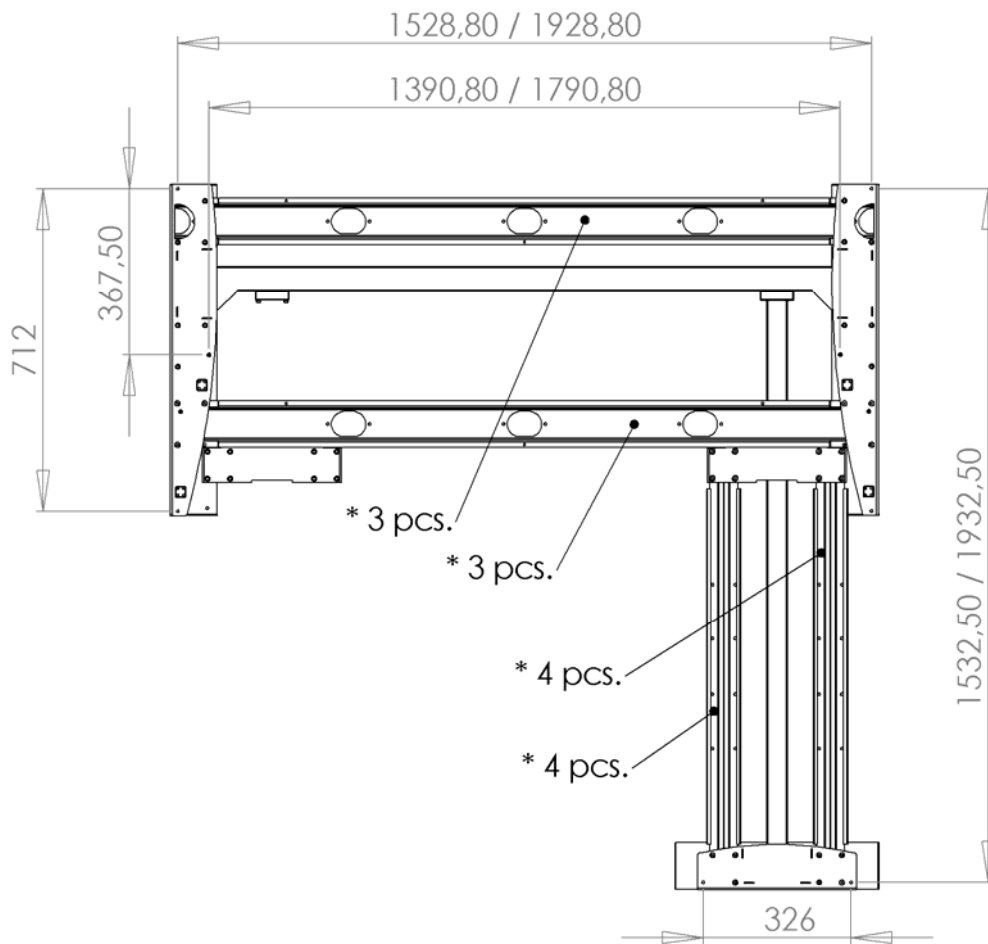
8 / 11 kg

Main measures and specifications, 3 column corner frame



| | |
|-------------------------|------------|
| H (height), frame only | 63 - 120cm |
| Lifting capacity, frame | 150 kg |
| Speed | 28 mm/sec |

Tabletop drillings, 3 column corner frame

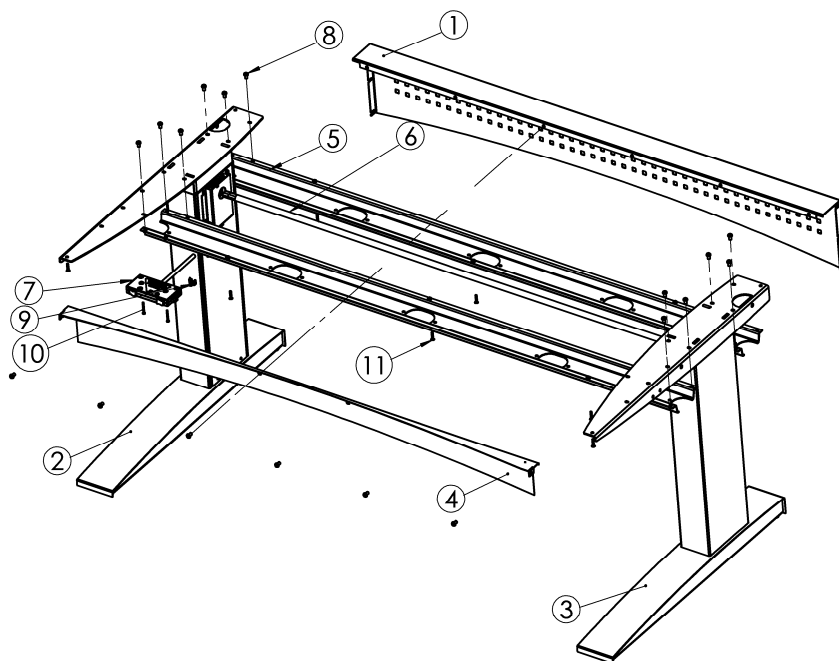


Specified drillings required for placing the tops correctly.

* marks showing additional needed fixing points.

Assembly and use

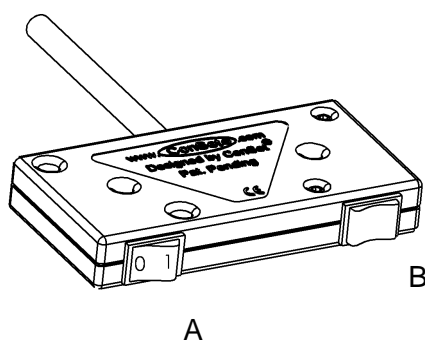
Along with all products a "Direction for assembly and use" is delivered. In this you will find a detailed description of the way of assembly, please find the sketch below coming from this instruction.



After the frame has been mounted the chosen tabletop is mounted and the operation unit will be possible to fix at the bottom side of the tabletop. This operation unit has two rocker switches.

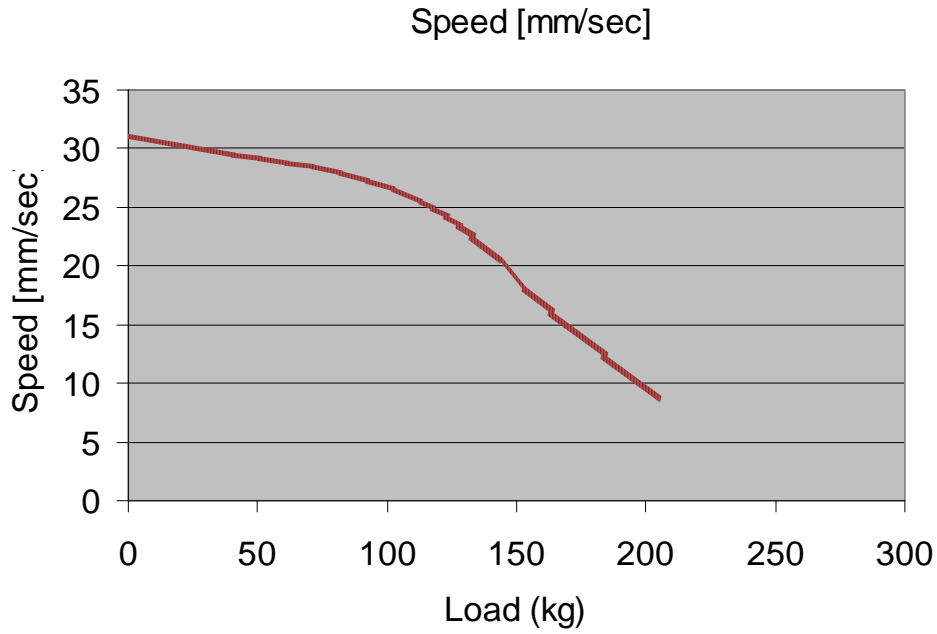
With rocker switch A it is possible to connect or disconnect the AC voltage. If disconnected the standby consumption is 0 W !

With rocker switch B it is possible to move the tabletop up and down and can be stopped at all levels

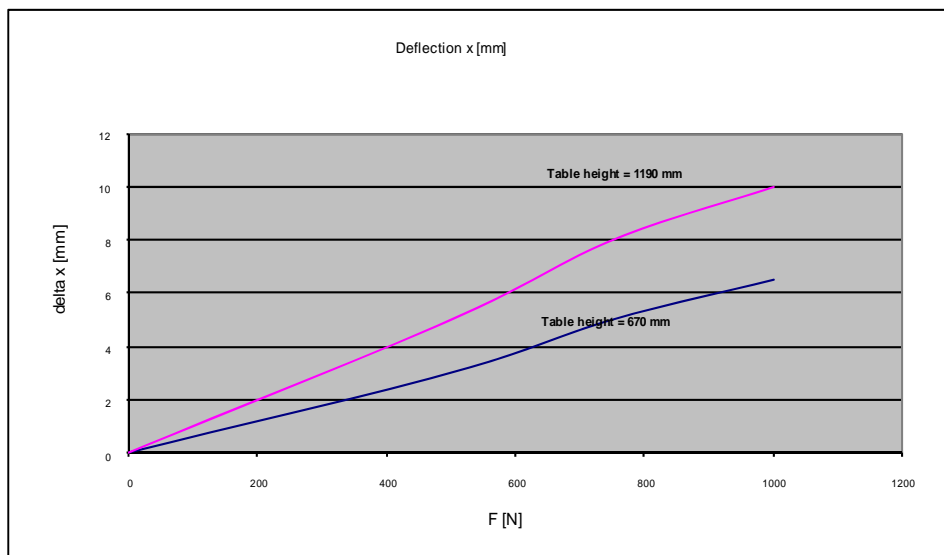
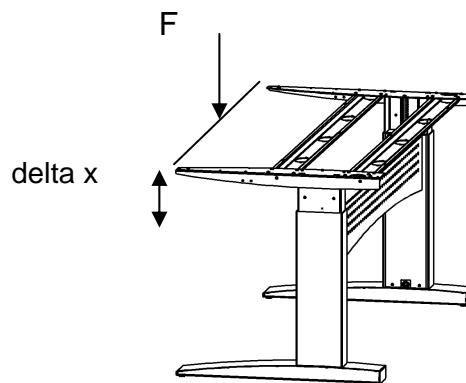


Performance, 2 column straight frame

Performance, load/speed



Rigidity in frame



Safety and tests

All products have been tested up against the following norms:

ISO/DIS 8019

DS/ISO 7172

The norms mention above is possible to find at the website in the section “Norms and approvals”.

DECLARATION OF CONFORMITY

We hereby declare, under our sole responsibility that the following products:

- ConSet sit and stand tables product type 501-11

which are covered by this statement, are in conformity with the following standards and other normative documents::

- Counsel Directive 98/37/EF
- Counsel Directive 89/336/EØF with later changes
- Counsel Directive 73/23/EØF with later changes

With reference to the Machinery Directive (98/37/EF) please be aware:

- the sit and stand table is considered a machine and
- the sit and stand table may not be used until it has been assembled and installed according to the instructions.”.

Component specifications

Metal sheet parts: St 37-2

Gear parts: St 70-2

Gear motor: Bosch no. 0 390 257 685

Power supply: 100 W switch mode power supply
Consumption: 100 Watts; Standby: Max 0,9 Watts

Plastic components: PEHD, PA6

Surface treatment Visible metal parts powder coated in black, RAL 9004 or "alu" colour RAL 9006

Non visible metal parts are surface treated (e.g. zinc plated)