



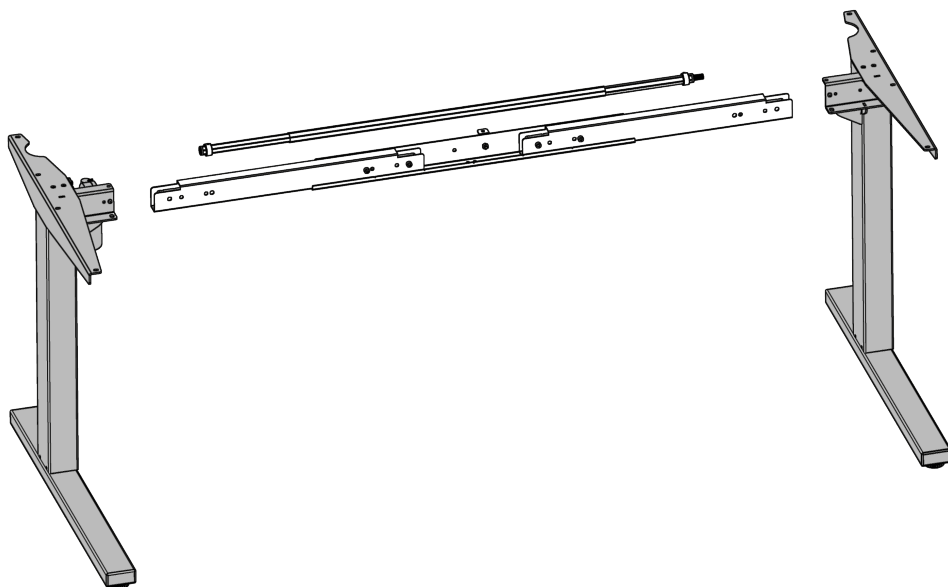
---

Assembly instruction

Flex top beam

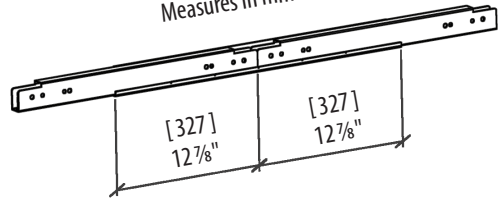
**137800**

---

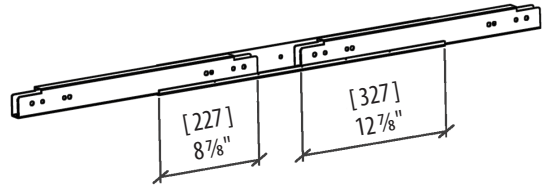


# 1. Decide your frame width

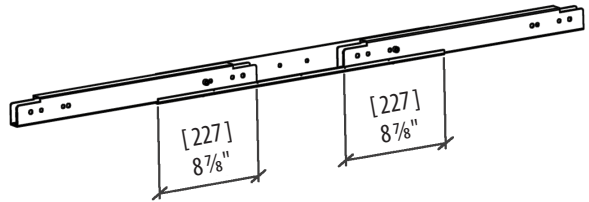
Measures in mm / inch



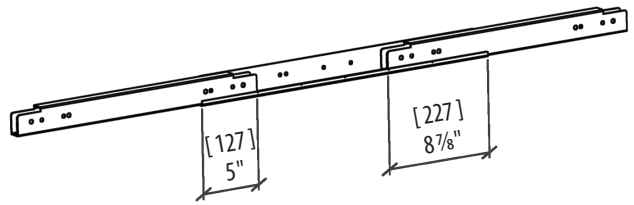
Frame width 112 cm | 44 1/8"



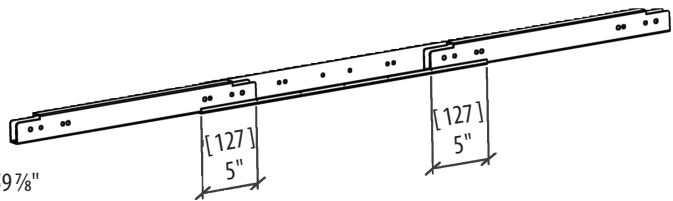
Frame width 122 cm | 48"



Frame width 132 cm | 52"

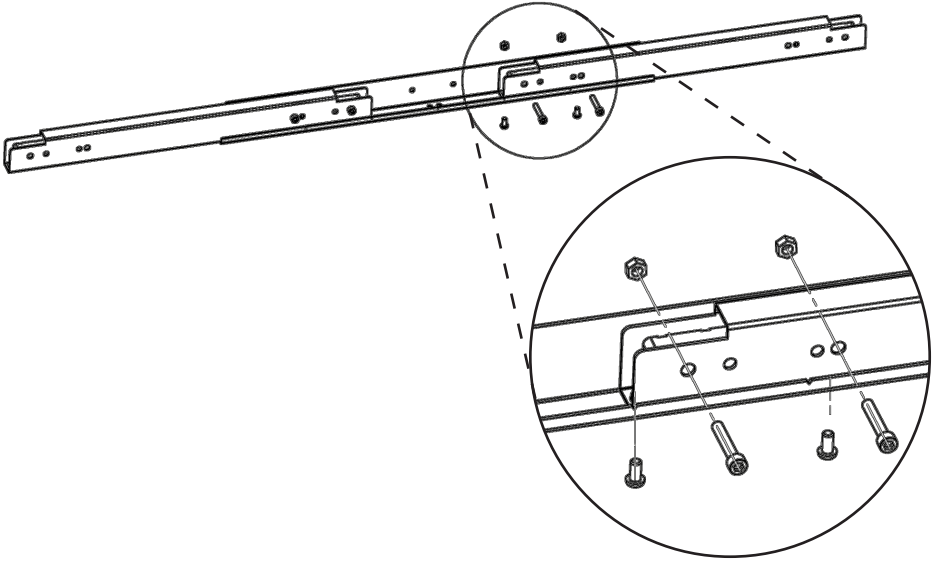


Frame width 142 cm | 55 7/8"

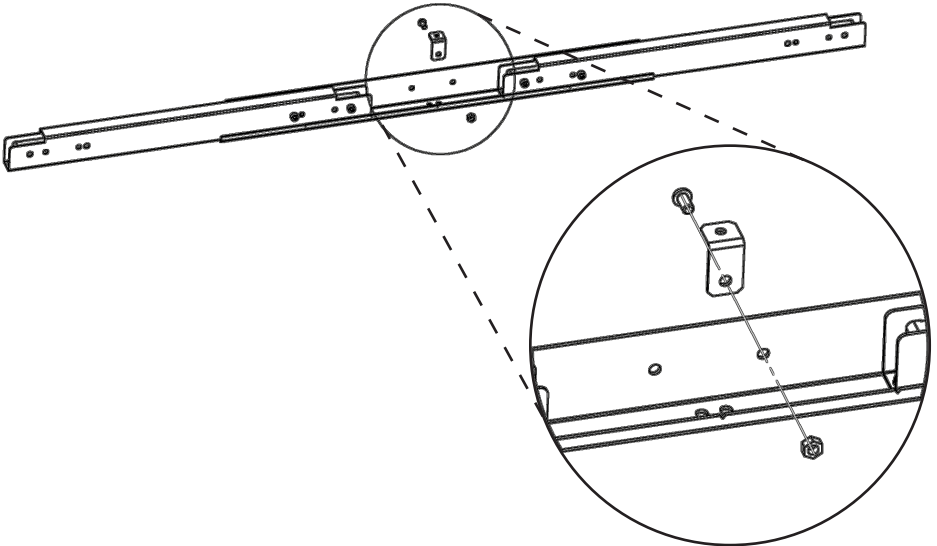


Frame width 152 cm | 59 7/8"

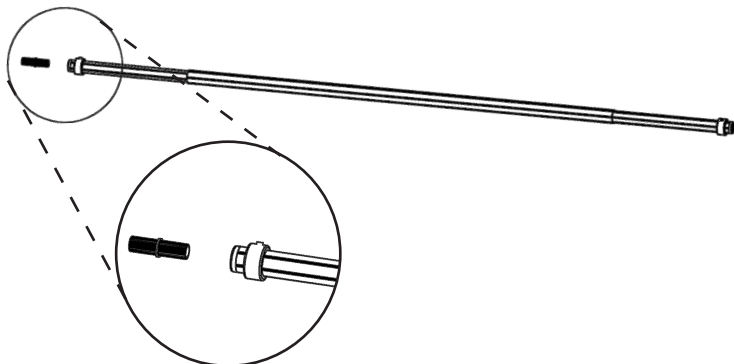
**2. Fix the top beam with the suitable screws**



**3. Mount the top bracket**



#### 4. Place the adaptor in the adjustable tube



#### 5. Mount the flex beam and the adjustable tube

