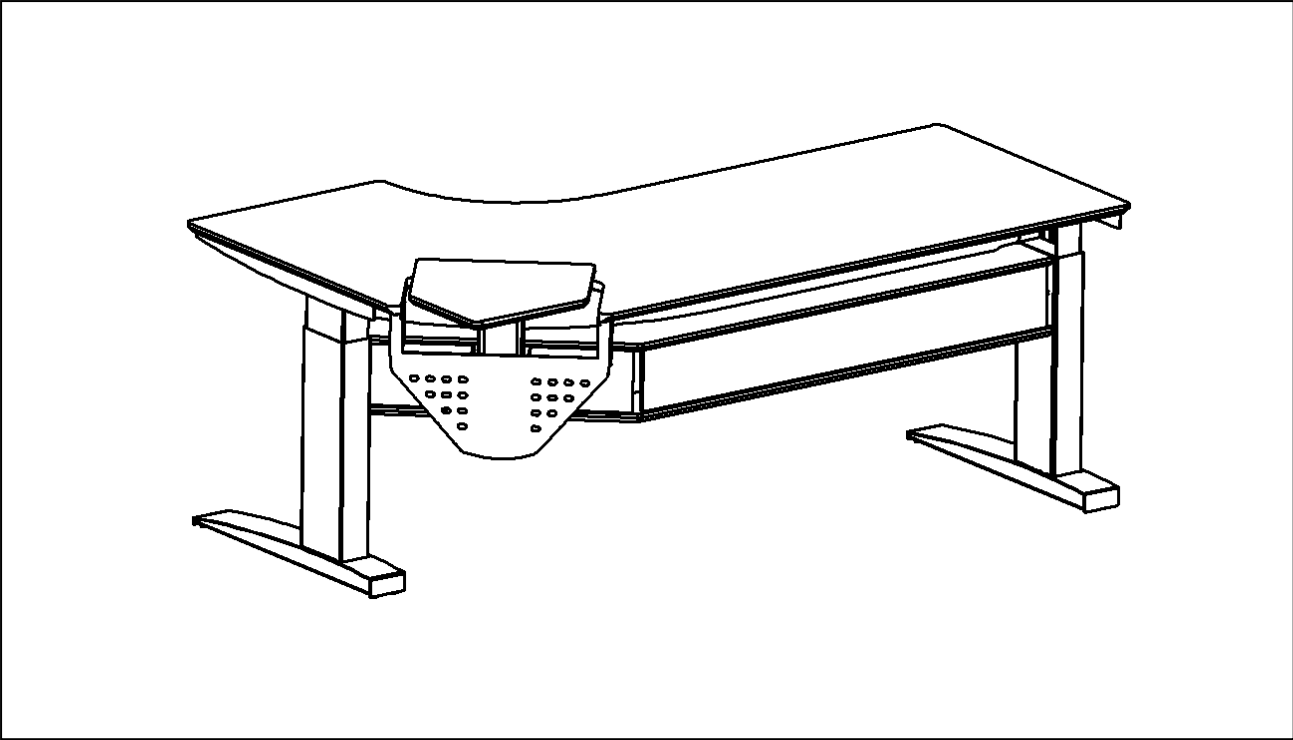
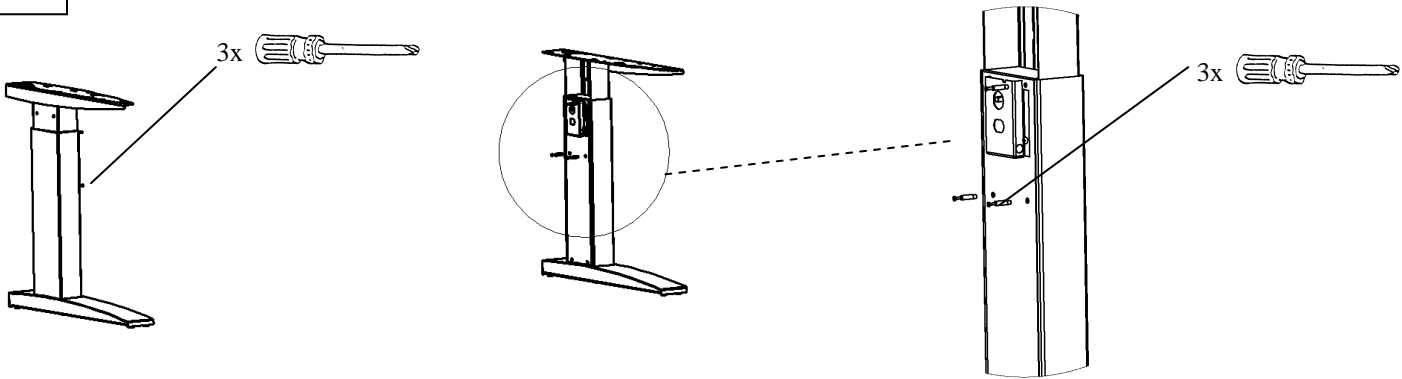


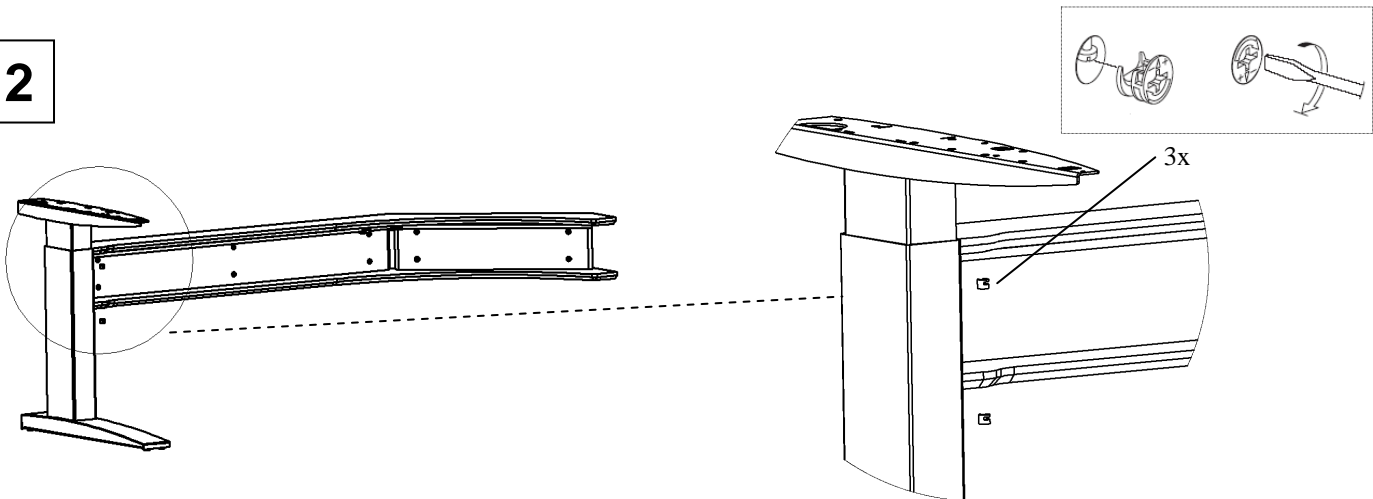
Monteringsanvisning, ConSet 2-søjlet 501-11 med elektrisk monitorlift
Mounting instruction, ConSet 2-column 501-11 with electric monitorlift



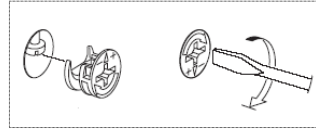
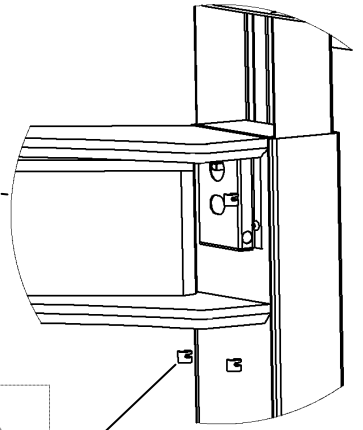
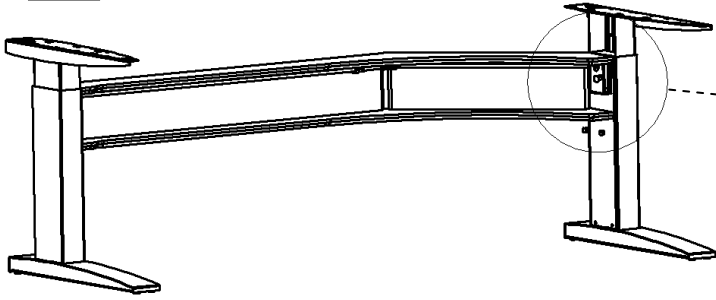
1



2

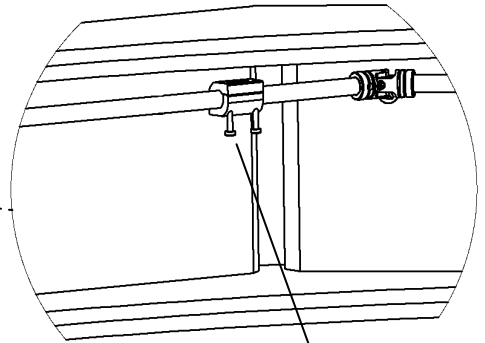
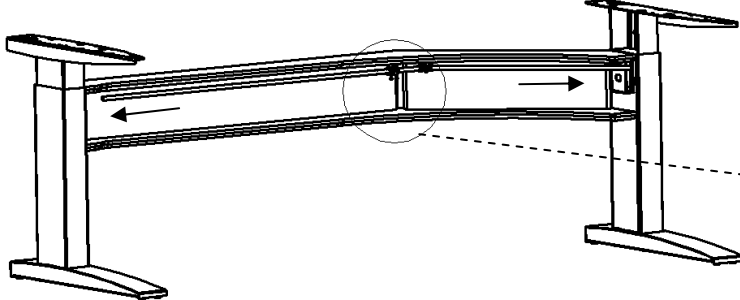


3



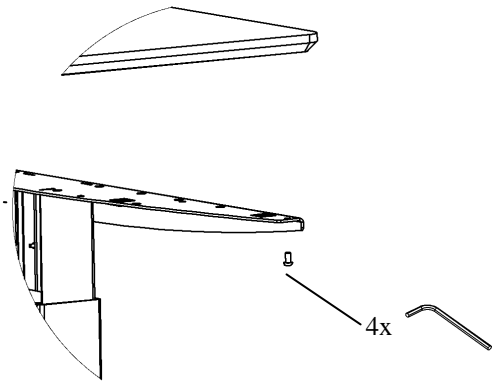
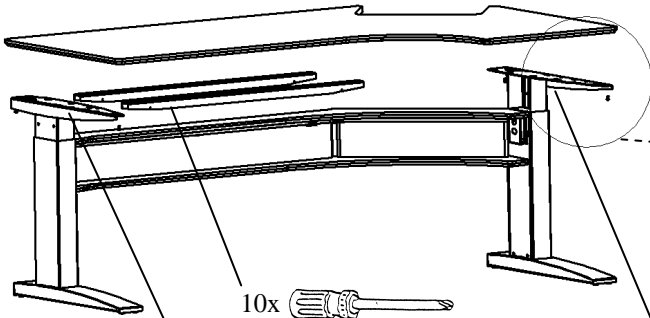
3x

4



2x 

5



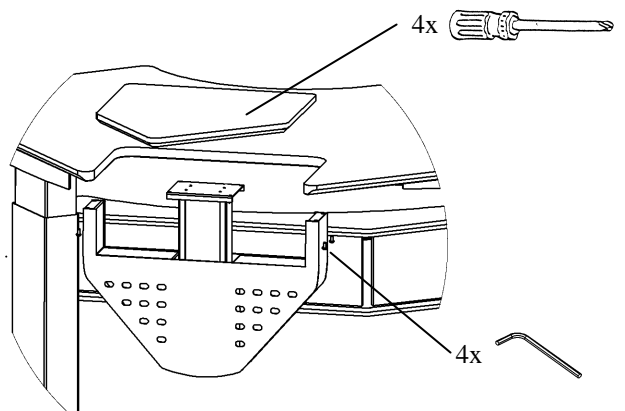
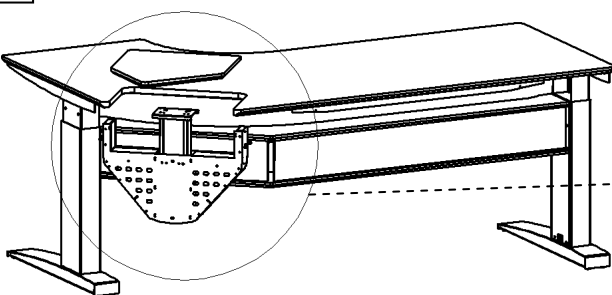
10x 

4x 

4x 

4x 

6



4x 

4x 