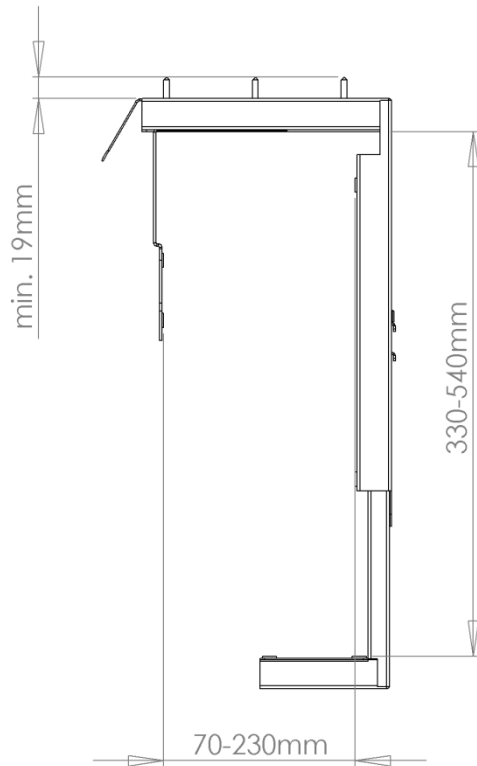
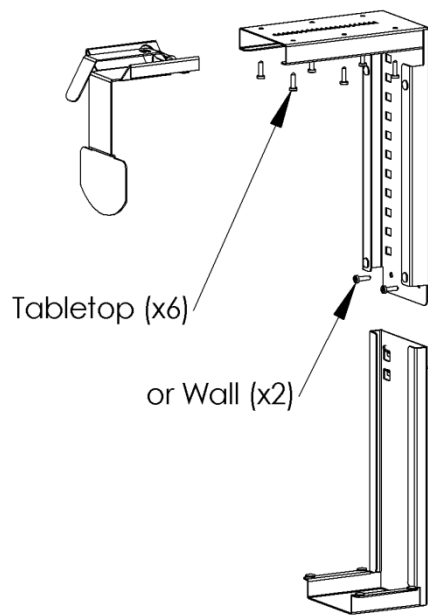


Mounting instruction, CPU-Holder 400-4



1.



2.

