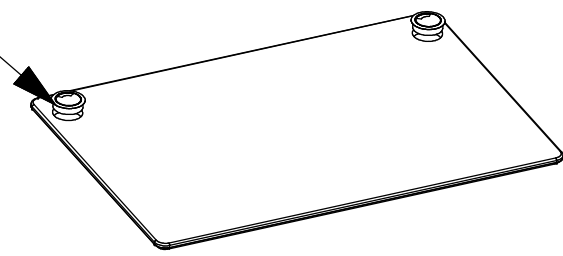
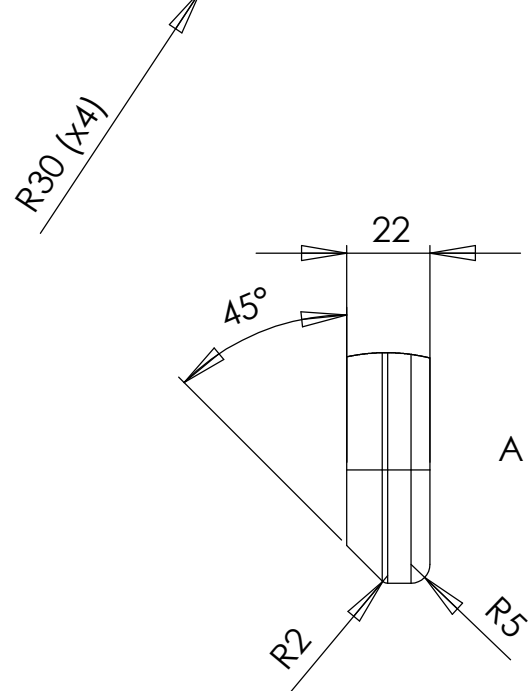


Cablevent, black (x2)
302700



UNLESS OTHERWISE SPECIFIED DIMENSIONS ARE IN MM TOLERANCES ARE: --	MATERIAL SPECIFICATION: --		ConSet A/S Staalvej 14-16 6900 Skjern Denmark
	PROCES SPECIFICATION: --		
<input checked="" type="checkbox"/> MATERIAL <input checked="" type="checkbox"/> FINISH	DRAWN: JO CHECKED: GL DATE: 060320		Square tabletop, 1200x800mm
DO NOT SCALE DRAWING			