

IMPORTANT

Make sure to unplug the table before starting this operation

HOW TO:

1. Disassemble the table and place the left column (power leg) on a flat surface.

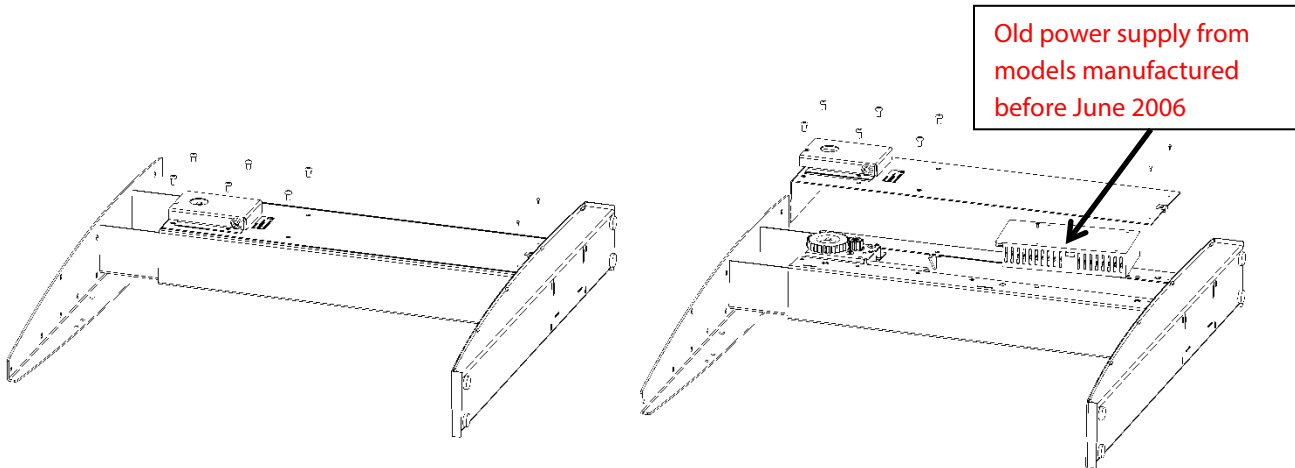


Fig.1a

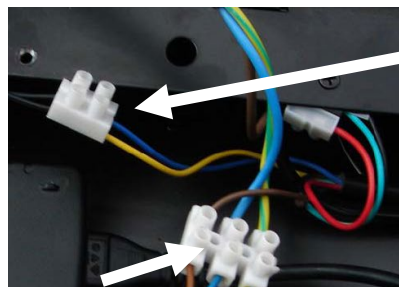
Fig.1b

2. Remove the 6 hexagon socket screws as well as the 2 screws at the bottom of the leg (Fig. 1a)
3. Remove the 2 covers
4. Remove the 2 screws in the power supply (Fig. 1b)
5. Disconnect the 4 or 5 wires from the old power supply



Fig. 2 NEW POWER SUPPLY

6. Connect the 4 or 5 loose wires in the frame to the new power supply as shown in Fig.3

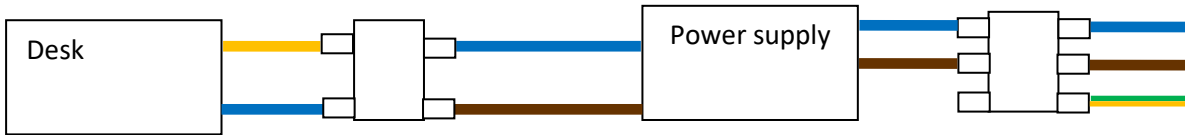


Blue wire from desk connects to +30V
brown wire from power supply.
Yellow wire from desk connects to -30V
blue wire from power supply

R107290

Fig. 3

Blue/brown wire connects to blue/brown 220V
(some frames have GND (yellow/green))



7. Place the new power supply in the leg (Fig. 4)

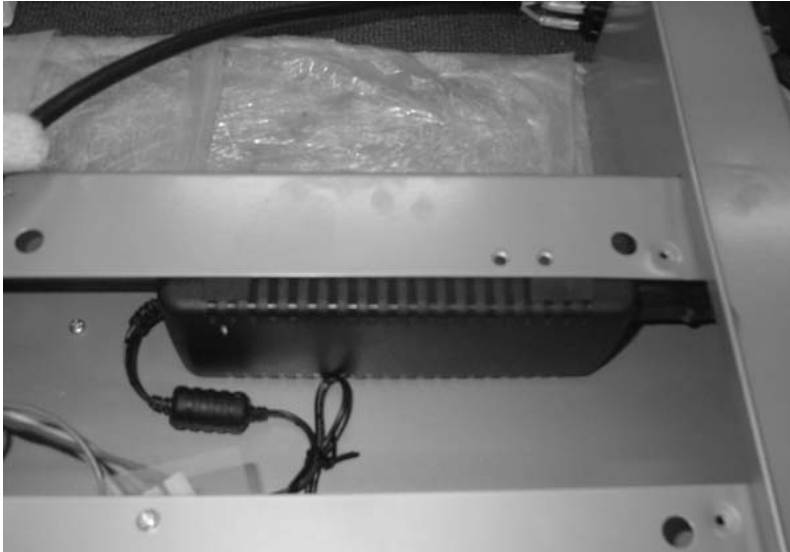


Fig. 4

8. The table frame is now ready for re-assembly

NEED HELP?
Contact us on conset@conset.com for further assistance